

Making Your Polls Accessible

Kristin Dulaney

Special Projects Manager

June 15, 2022



INDIANA

DISABILITY RIGHTS

Objectives

- Introduce Indiana Disability Rights (IDR)
- Discuss making your polls accessible
- Share accessibility solutions
- Explain how IDR can help Clerks



Intro to IDR



Mission

To uphold, promote, and advance the rights of individuals with disabilities through empowerment and advocacy to achieve a more equitable society.



Who We Are

- Advocates
- Attorneys
- Other experts
 - Policy & Special Projects
 - Finance
 - Operations



What We Do

- Information and Referral
- Self-Advocacy
- Individual Advocacy
- Systemic Advocacy



Issue Areas

- Abuse, Neglect, and Discharge
- Civil Rights
- Education
- Employment
- Health Care
- Monitoring
- Representative Payee
- Self-Determination
- Voting



Voting Rights

- Ensure that elections are accessible to voters with disabilities
- 2022 initiatives
 - Build relationships with and provide technical assistance to County Clerks
 - Survey early voting sites for accessibility
 - Partner with Self-Advocates of Indiana to provide Voter Empowerment Trainings
 - Share educational rights materials with voters with disabilities



Making Your Polls Accessible



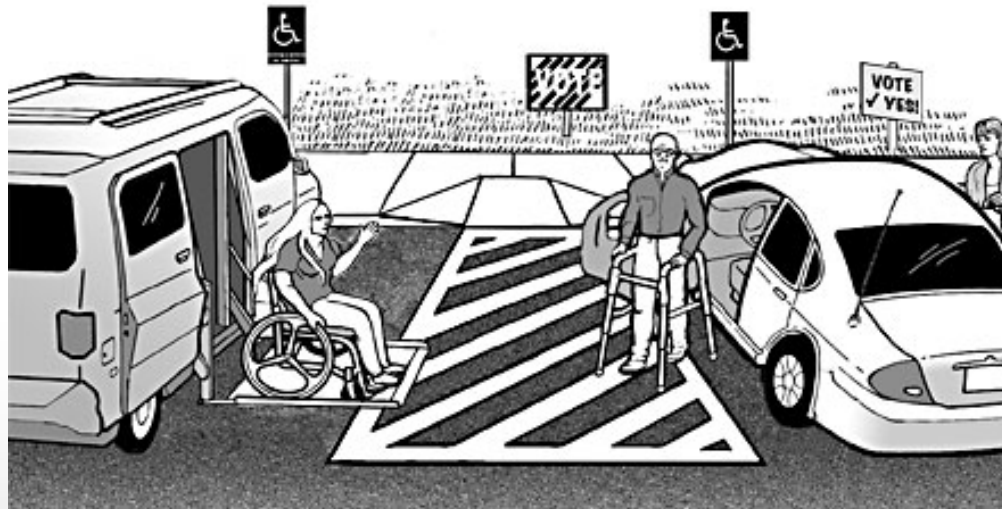
Legal Framework

- Americans with Disabilities Act (ADA) – grants the right to a physically accessible polling place.
- Help America Vote Act (HAVA) – requires all polling places to have at least one working voting machine that enables voters to vote privately and independently.



Parking

- Marked spaces
- Access aisle
- Closest route
- Smooth surface



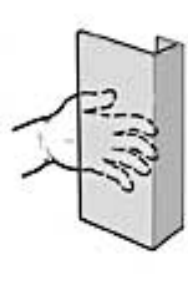
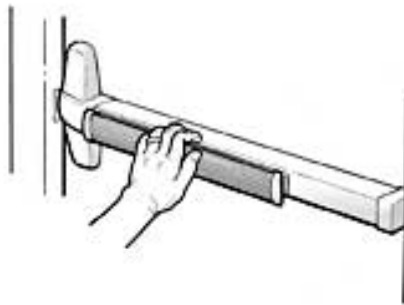
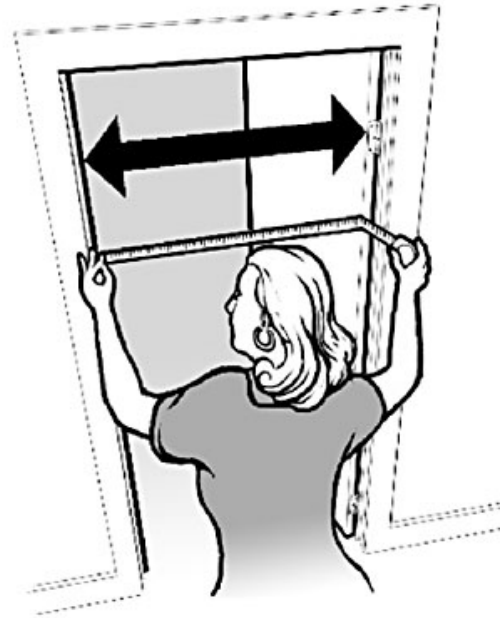
Path of Travel

- Protruding objects
- Level changes
- Smooth surface
- Slip resistance



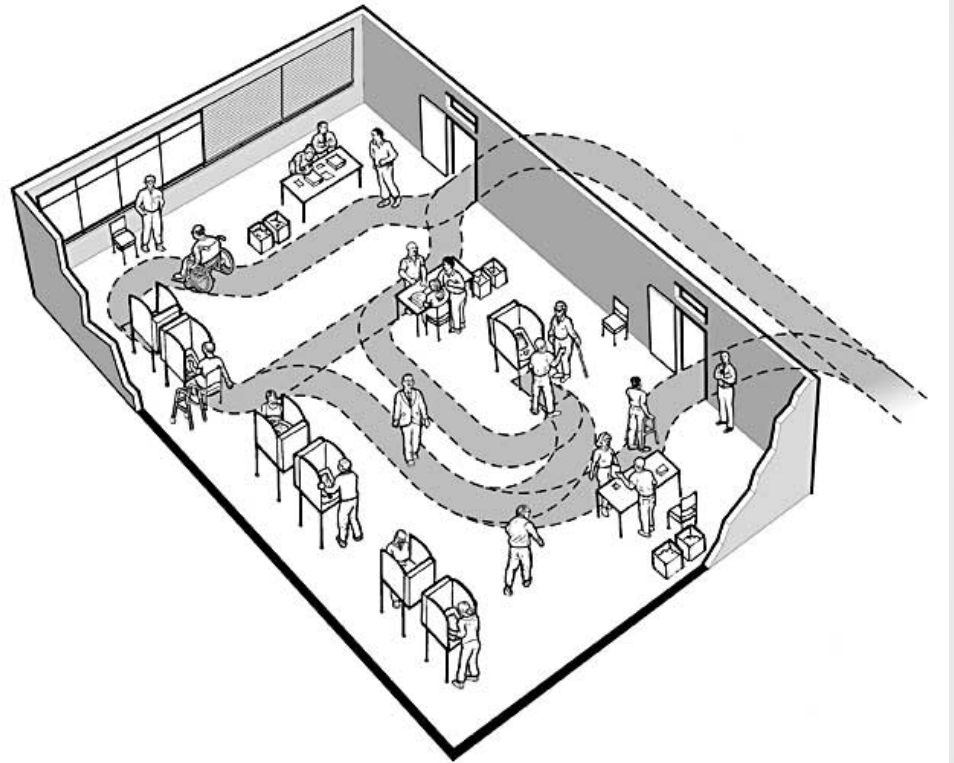
Entrance

- Door width
- Hardware
- Threshold



Voting Area

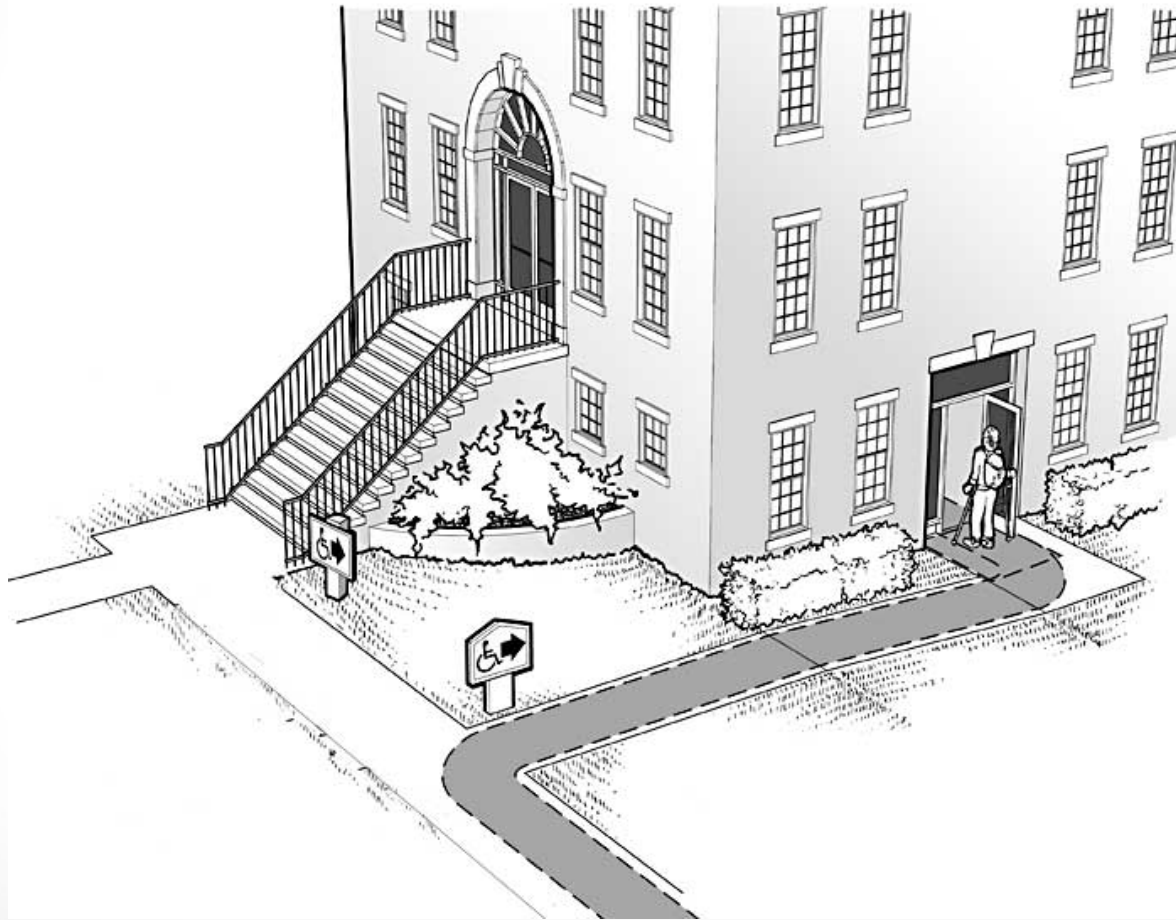
- Room to navigate
- Signage at eye level of wheelchair user
- Privacy booth
- Operable accessible voting machine



Accessibility Solutions



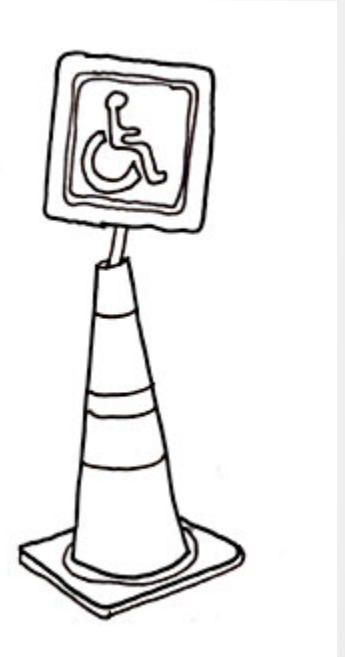
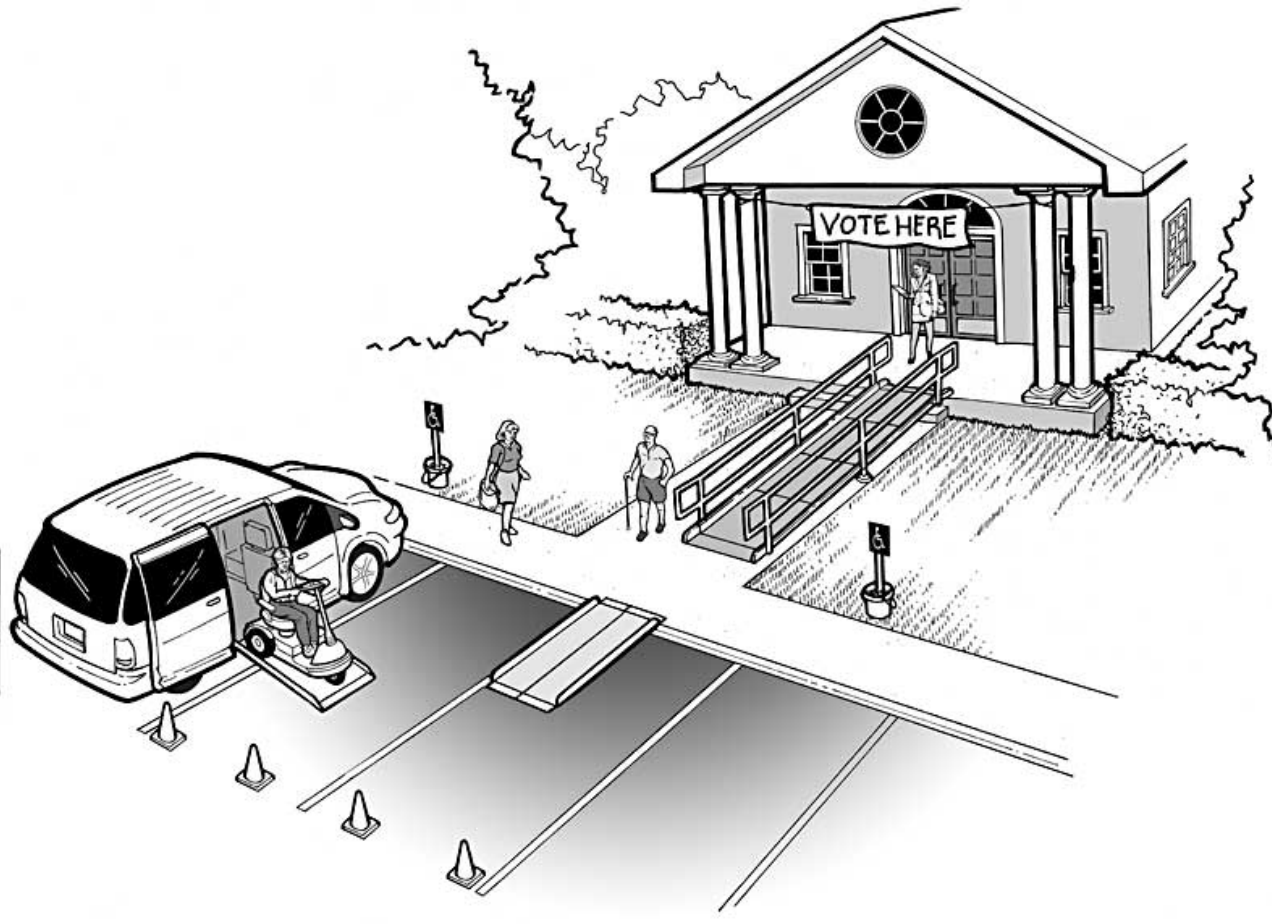
Signs



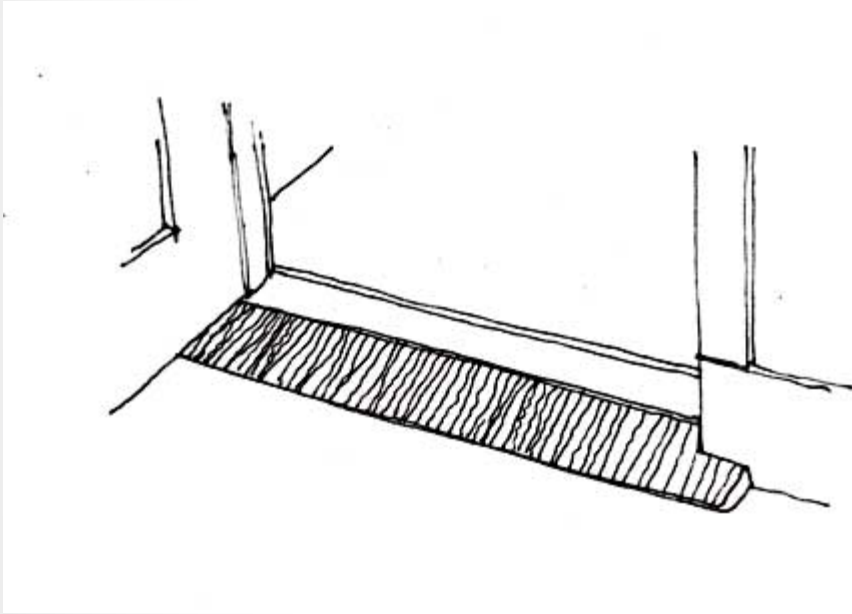
Signs



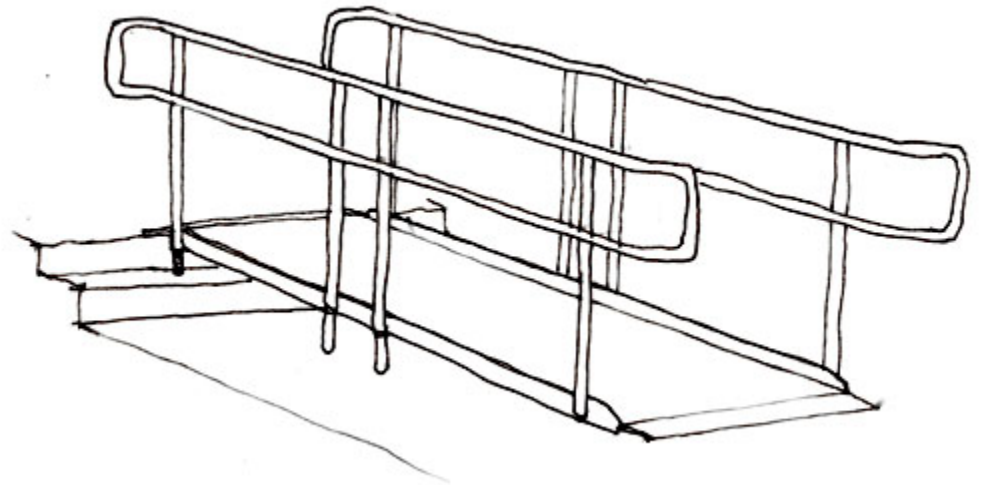
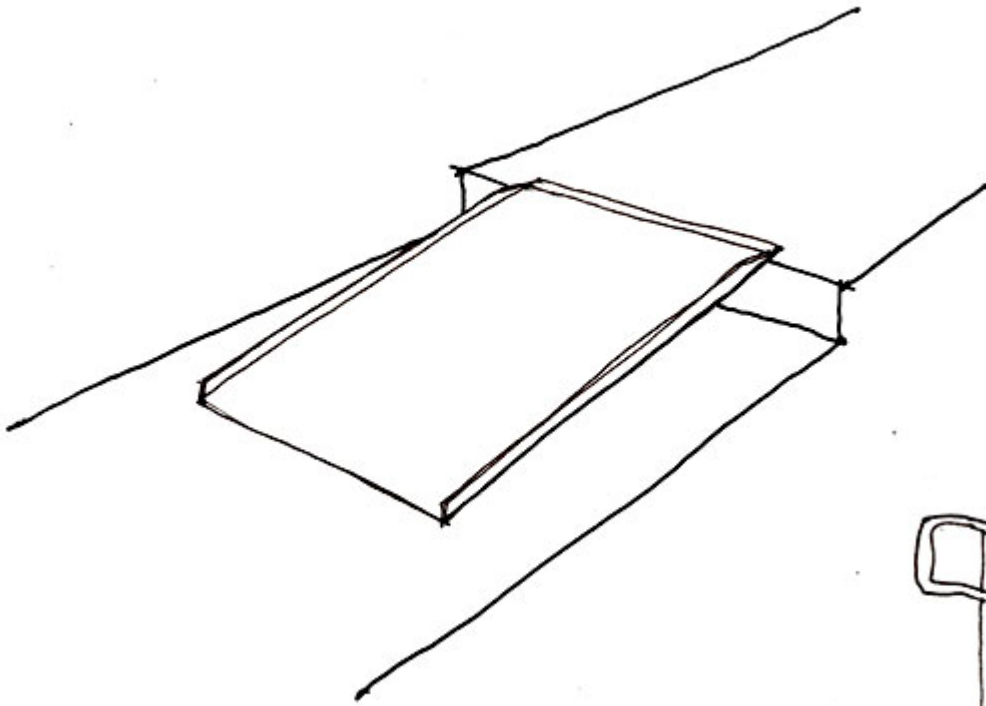
Cones



Wedges & Door Stops



Ramps



How IDR Can Help



Vanderburgh County's Experience



Clerk Carla Hayden



Download This Presentation

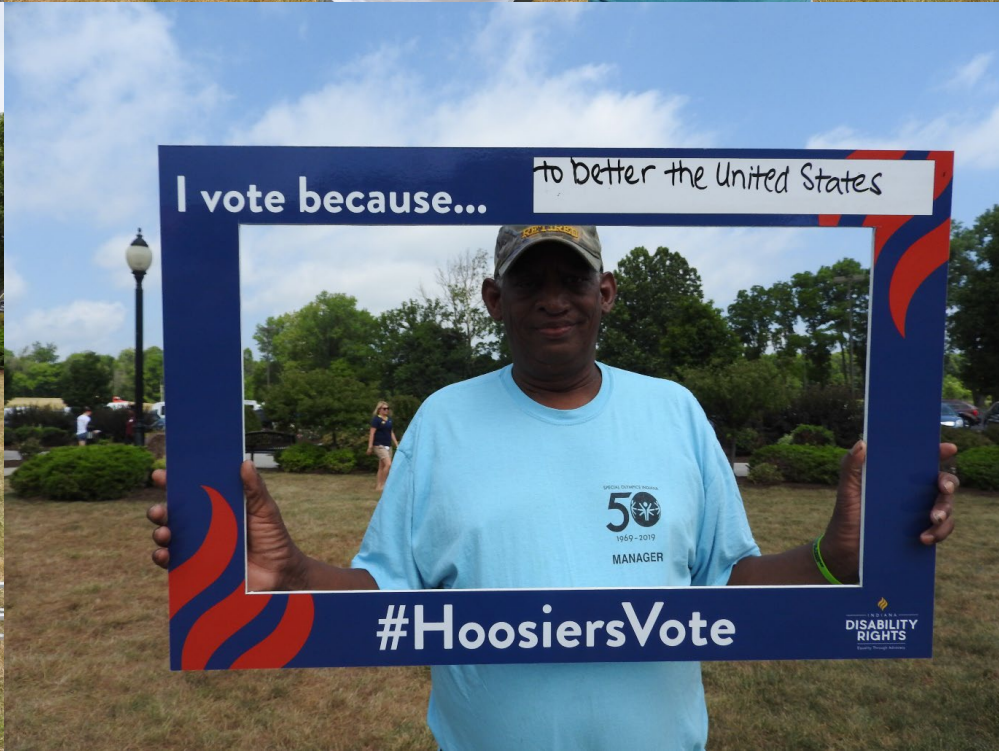
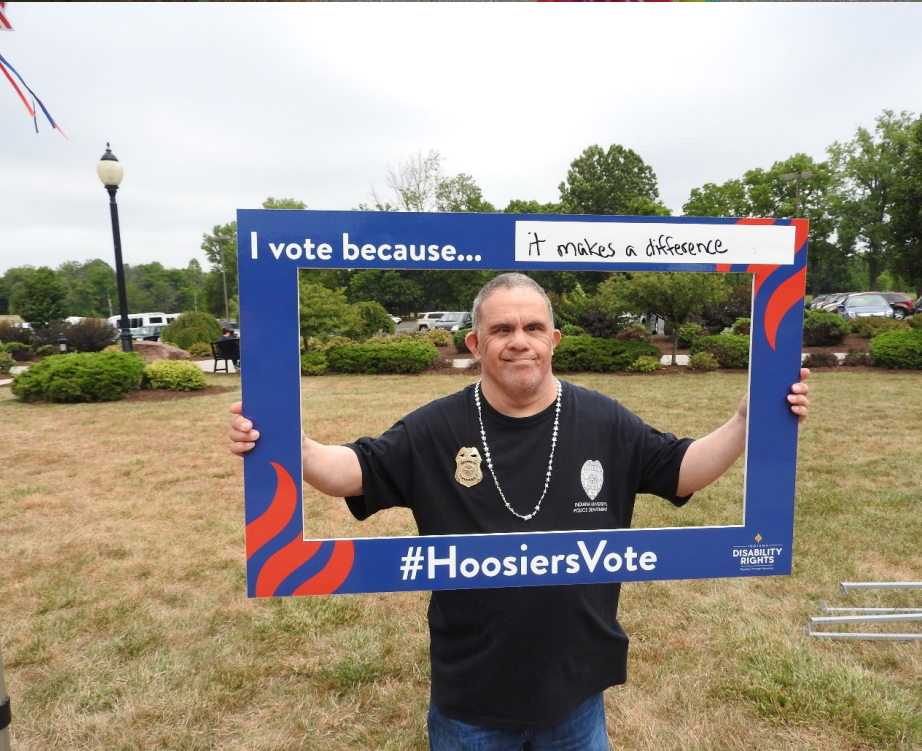
- Visit <https://www.in.gov/idr/hoosiers-vote/making-polls-accessible/>



Sign Up for an Advocate Visit

- If you would like an IDR Advocate to visit your county this summer to proactively review your election sites with your team, scan the QR code to sign-up.
- IDR is available to visit the first 10 counties who make a request.





Contact Us

Phone – (317) 722-5555

Toll-free - (800) 622-4845

Info@IndianaDisabilityRights.org

www.IndianaDisabilityRights.org



Kristin Dulaney
Special Projects Manager
Kdulaney@IndianaDisabilityRights.org



IndianaDisabilityRights.org