

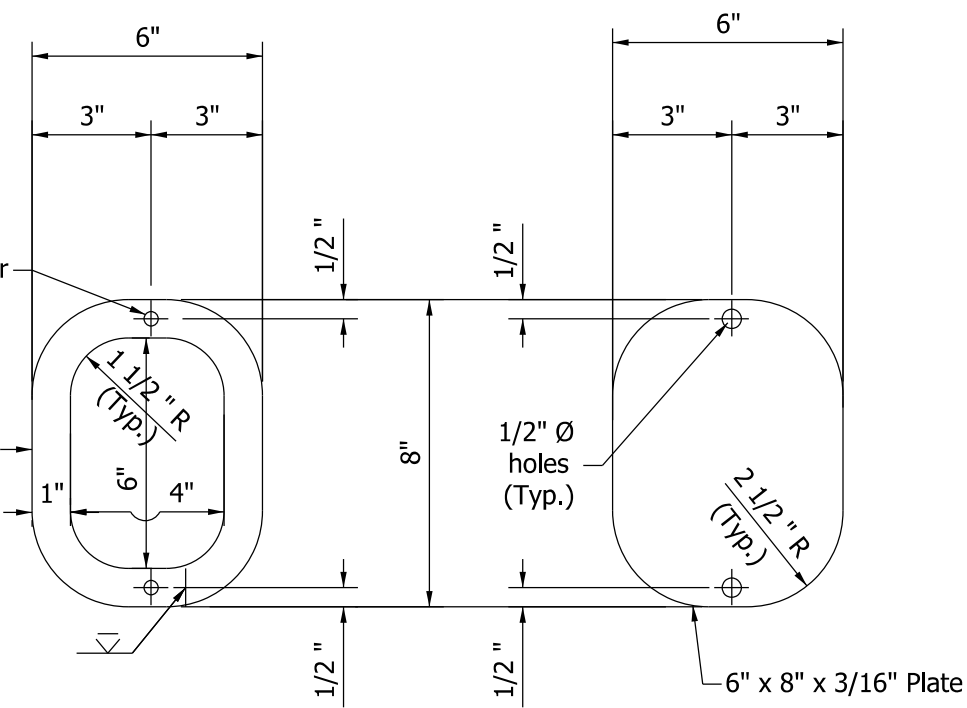
HANDHOLE B
SECTION ACROSS POLE

Drill and tap for 2 screws,
3/8" - 20 Chase thread after
galvanizing

1"x 3" flat
bar frame

FRAME DETAIL

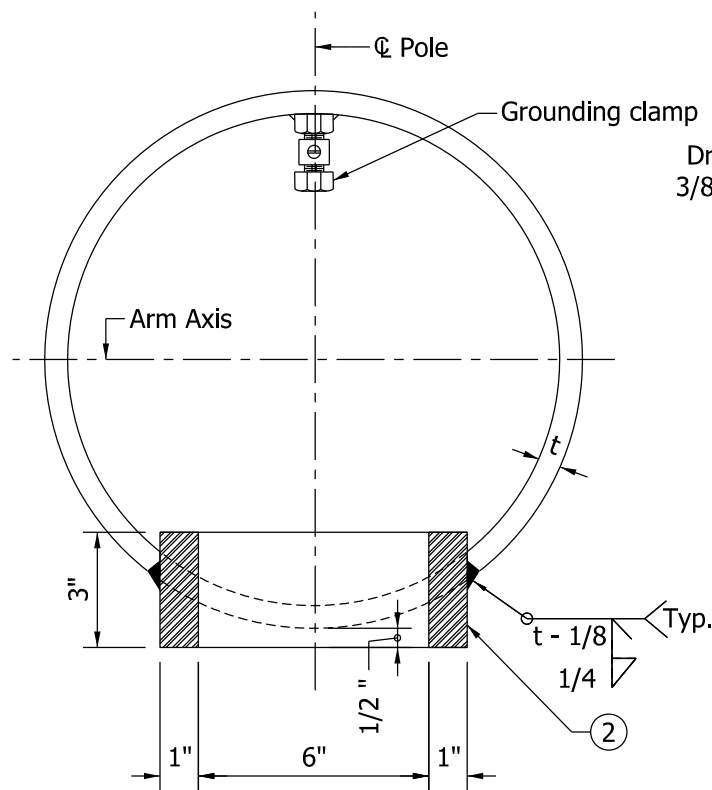
HANDHOLE B



COVER

NOTES:

- 1 Handhole A shall be used at the base of the pole. Handhole B shall be used at all other locations.
- ② In lieu of fabricated handhole frame as shown, frame may be cut from 3" plate with rolling direction vertical.
- 3 See Standard Drawings E 805-TSCS-01 and -08 for handhole locations.



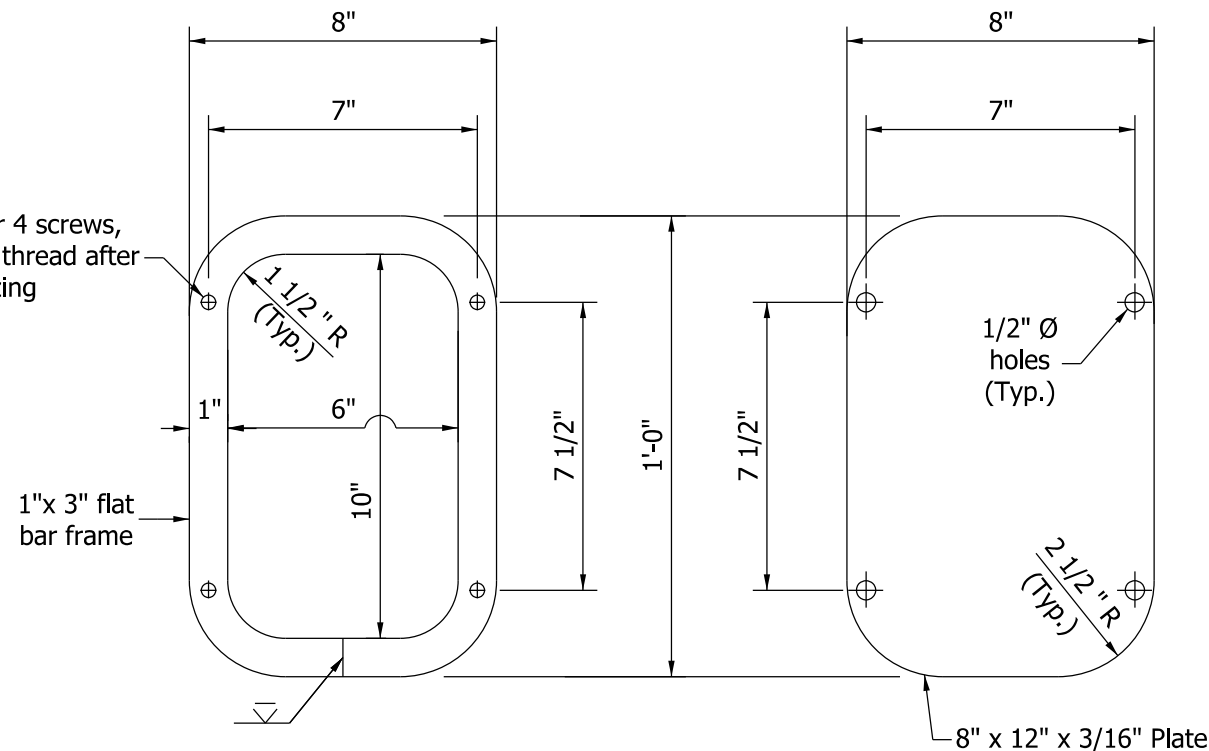
HANDHOLE A
SECTION ACROSS POLE

Drill and tap for 4 screws,
3/8" - 20 Chase thread after
galvanizing

1"x 3" flat
bar frame

FRAME DETAIL

HANDHOLE A



COVER

INDIANA DEPARTMENT OF TRANSPORTATION	
TRAFFIC SIGNAL CANTILEVER STRUCTURE HANDHOLE DETAILS	
SEPTEMBER 2012	
STANDARD DRAWING NO.	E 805-TSCS-05
	/s/ <i>Richard L. VanCleave</i> 09/04/12
	SUPERVISOR, ROADWAY STANDARDS DATE
	/s/ <i>Mark A. Miller</i> 09/04/12
CHIEF ENGINEER	DATE