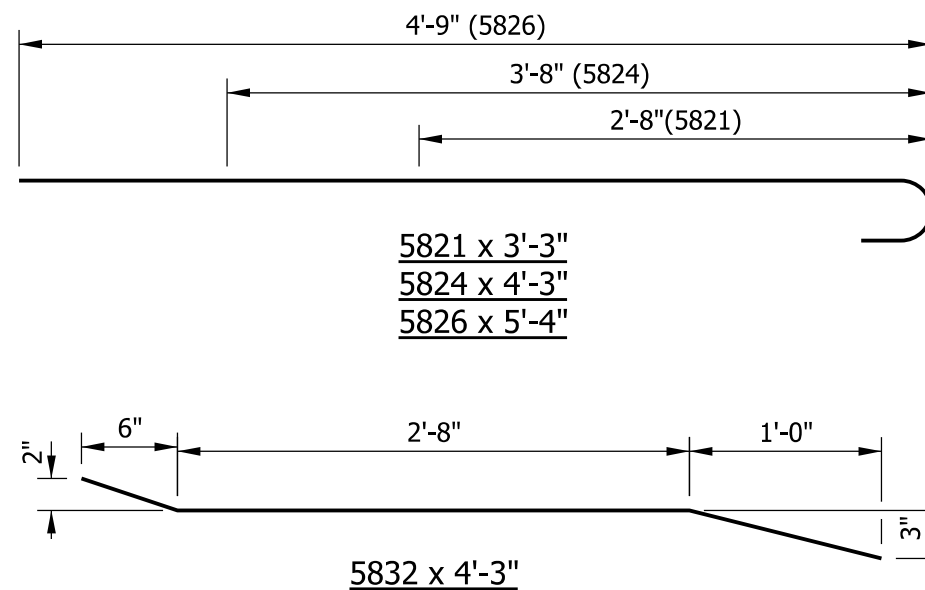
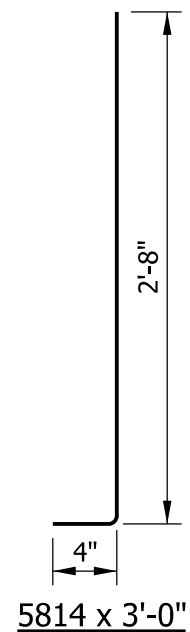
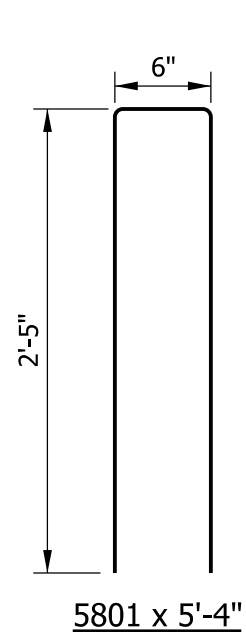


**NOTES**

1. See Standard Drawing E 706-TTPP-07 for elevation and plan.
2. All chamfered edges shall be 3/4".
3. Construction joint type A. See Standard Drawing E 702-CJTA-01 for details.
4. See Standard Drawing E 703-BRST-01 for reinforcing-bar bending details and notes.
5. RCBA extension for bridge railing transition type TPS-2. See Standard Drawing E 609-TBAE-01 for details.
6. 7/8" Ø hole for attachment of steel bridge railing type PS-2, large rail. See Standard Drawing E 706-BRPP-04 for details.
7. 3/4" Ø hole for attachment of steel bridge railing type PS-2, small rail. See Standard Drawing E 706-BRPP-04 for details.

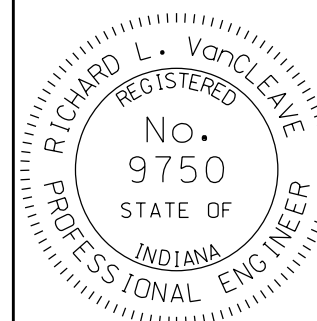


INDIANA DEPARTMENT OF TRANSPORTATION

CONCRETE BRIDGE RAILING  
TRANSITION, TPS-2

SEPTEMBER 2012

STANDARD DRAWING NO. E 706-TTPP-08



/s/ *Richard L. VanCleave* 09/04/12  
SUPERVISOR, ROADWAY STANDARDS DATE

/s/ *Mark A. Miller* 09/04/12  
CHIEF ENGINEER DATE