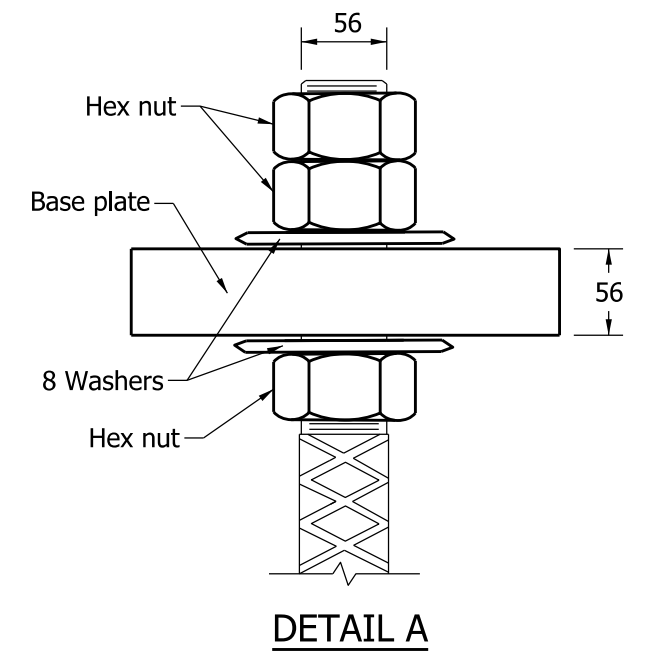


**NOTES:**

1. An arrow or arrows shall be imprinted onto the top of the foundation to indicate the direction of the cable-duct run.
- ② See Standard Drawing 807-LTLR-02 for details.



All Dimensions are in mm unless otherwise specified.

<b>INDIANA DEPARTMENT OF TRANSPORTATION</b>	
<b>HIGH MAST TOWER FOUNDATION</b>	
<b>SEPTEMBER 2010</b>	
<b>STANDARD DRAWING NO. 807-LTFD-07</b>	
	<i>/s/ Richard L. VanCleave</i> 09/01/10 DESIGN STANDARDS ENGINEER      DATE
DESIGN STANDARDS ENGINEER	<i>/s/ Mark A. Miller</i> 09/01/10 CHIEF HIGHWAY ENGINEER      DATE