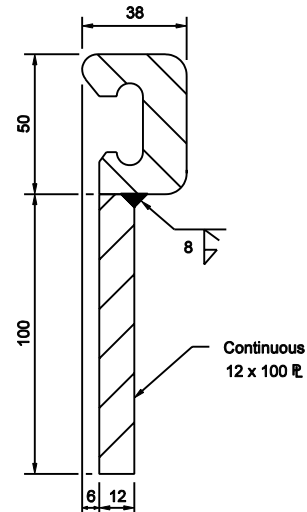
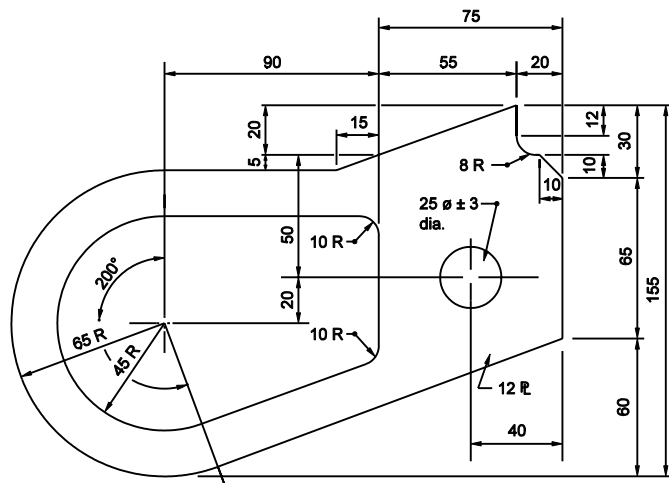


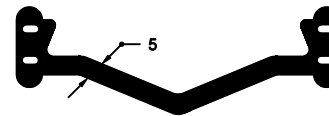
ANCHOR PLATE ALTERNATE C-1



**EXTRUSION & PLATE
ASSEMBLY DETAIL**



ANCHOR PLATE ALTERNATE C-2



STRIP SEAL

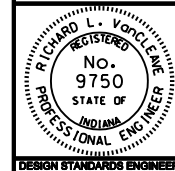
All Dimension are in mm unless otherwise specified

INDIANA DEPARTMENT OF TRANSPORTATION

EXPANSION JOINTS
CLASS SS (ALTERNATE C)

SEPTEMBER 2003

STANDARD DRAWING NO. 724-BSSJ-03



/s/ Richard L. VanCleave 9-02-03
DESIGN STANDARDS ENGINEER DATE

/s/ Richard K. Smutzer 9-02-03
CHIEF HIGHWAY ENGINEER DATE

DESIGN STANDARDS ENGINEER