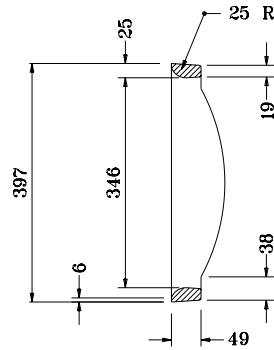
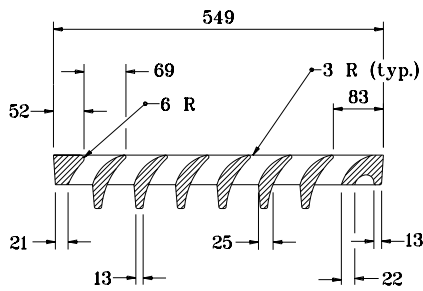


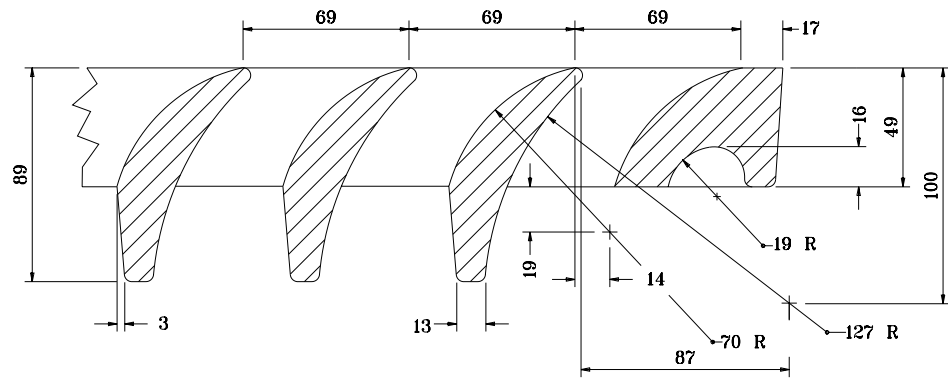
**PLAN**



**SECTION B-B**



**SECTION A-A**



**DETAIL OF SECTION A-A**

All dimensions are in mm unless otherwise specified.

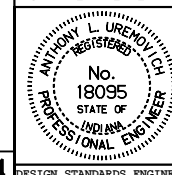
INDIANA DEPARTMENT OF TRANSPORTATION

**CASTING TYPE 8**

**GRATE**

SEPTEMBER 1998

STANDARD DRAWING NO. 720-ICCA-05



/s/ Anthony L. Uremovich 9-01-98  
DESIGN STANDARDS ENGINEER DATE

/s/ Donald W. Lucas 9-01-98  
CHIEF HIGHWAY ENGINEER DATE

Source Sheet: MCI

DESIGN STANDARDS ENGINEER