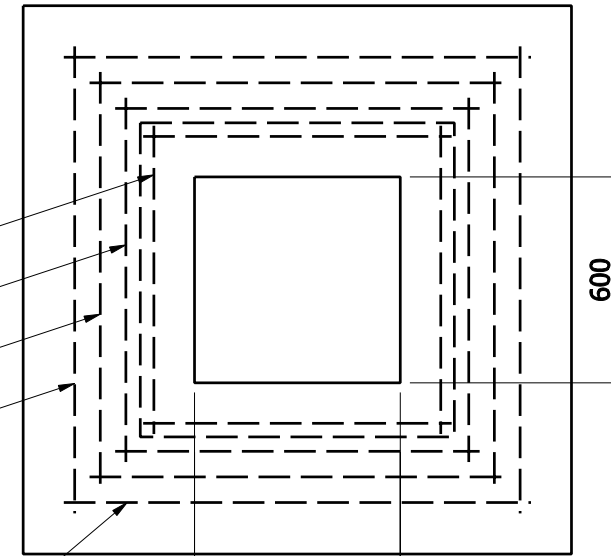
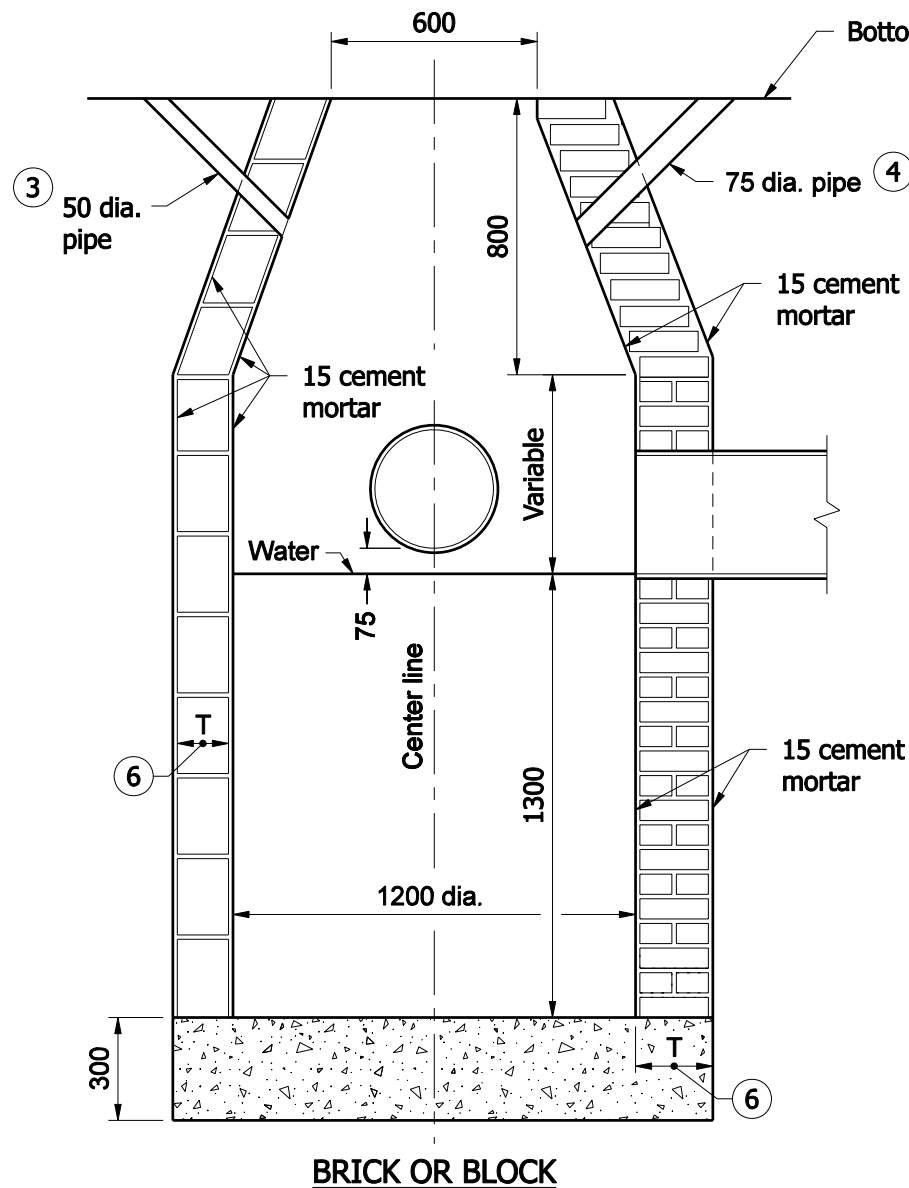


#16 x 900
 #16 x 1100
 #16 x 1200
 #16 x 1400

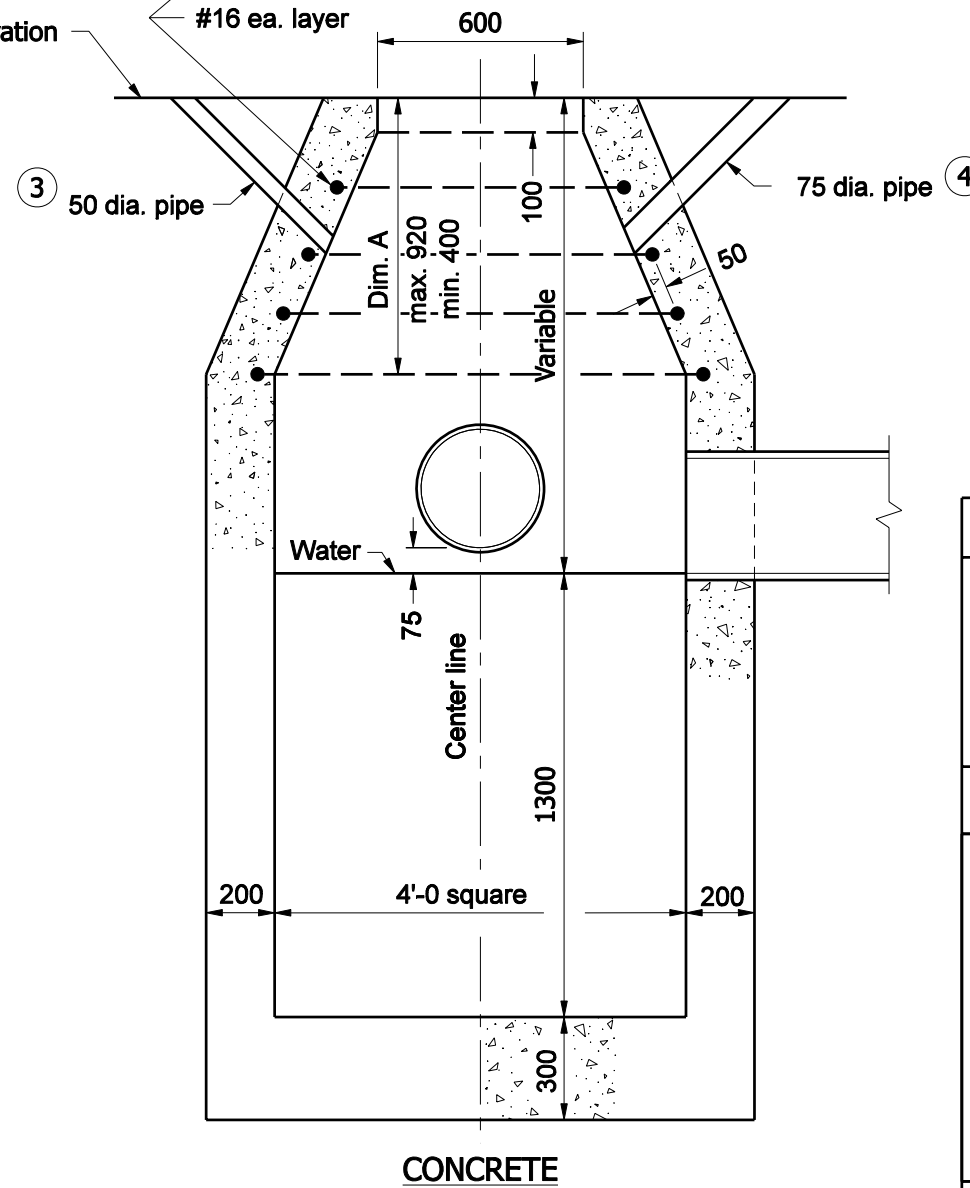


GENERAL NOTES

1. Brick, block, or concrete may be used.
2. Precast catch basin type W may be substituted for catch basin type A.
3. 50 dia. pipe drain from bottom of curb to inlet. Aggregate to be placed around inlet end of pipe.
4. 75 dia. pipe to be kept open for drainage of subgrade or base until surface is placed.
5. Reinforcement required if Dim. A < 760. Reinforcement not required if Dim. A ≥ 760.
6. T = 200 for brick structure
T = 150 for segmental block structure



BRICK OR BLOCK



CONCRETE

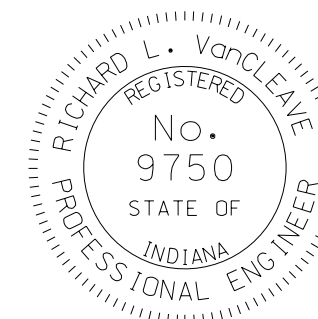
All Dimensions are in mm unless otherwise specified.

INDIANA DEPARTMENT OF TRANSPORTATION

**CASTCH BASIN
TYPE A**

SEPTEMBER 2008

STANDARD DRAWING NO. 720-CBST-01



DESIGN STANDARDS ENGINEER

/s/ Richard L. VanCleave 09/02/08
 DESIGN STANDARDS ENGINEER DATE

/s/ Mark A. Miller 09/02/08
 CHIEF HIGHWAY ENGINEER DATE