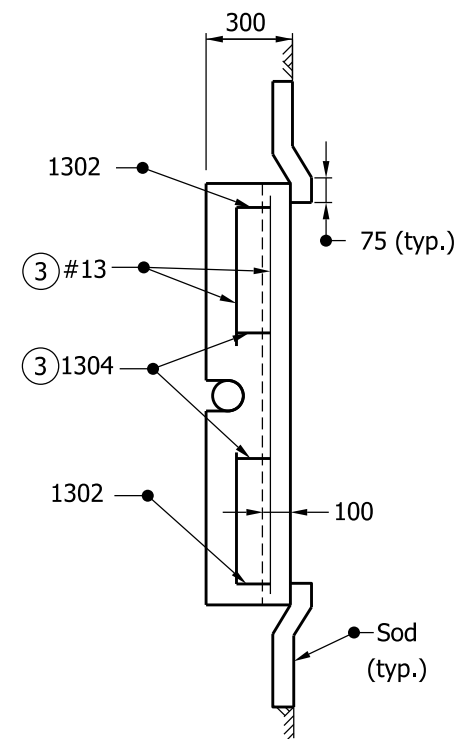


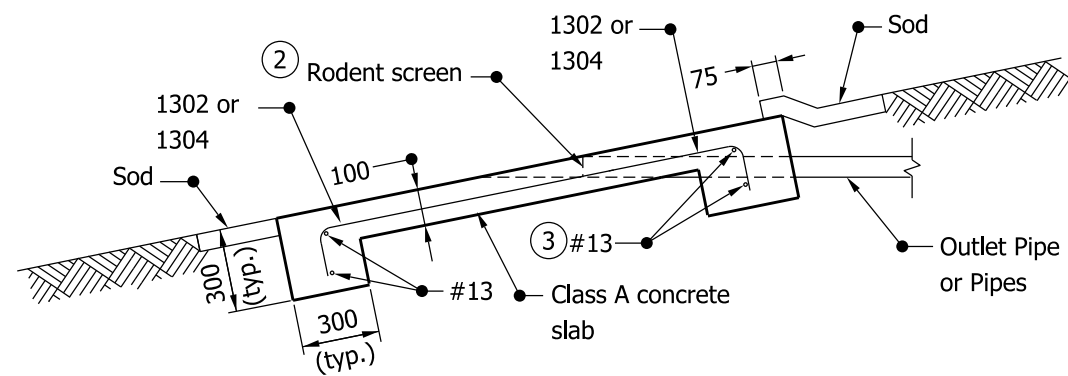
PLAN VIEW



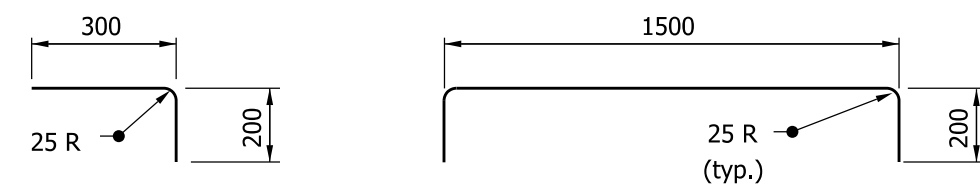
SECTION C-C

NOTE:

1. See Standard Drawing 718-UNDR-07 for General Notes.



TYPICAL SECTION



1304 x 500

1302 x 1900

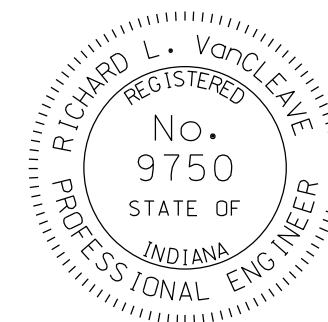
All Dimensions are in mm unless otherwise specified.

INDIANA DEPARTMENT OF TRANSPORTATION

OUTLET PROTECTOR, TYPE 2

SEPTEMBER 2009

STANDARD DRAWING NO. 718-UNDR-04



DESIGN STANDARDS ENGINEER

/s/ Richard L. VanCleave 09/01/09
DESIGN STANDARDS ENGINEER DATE

/s/ Mark A. Miller 09/01/09
CHIEF HIGHWAY ENGINEER DATE