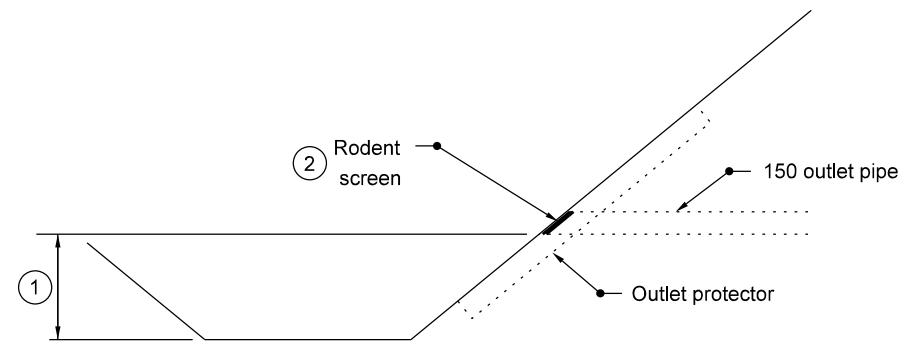
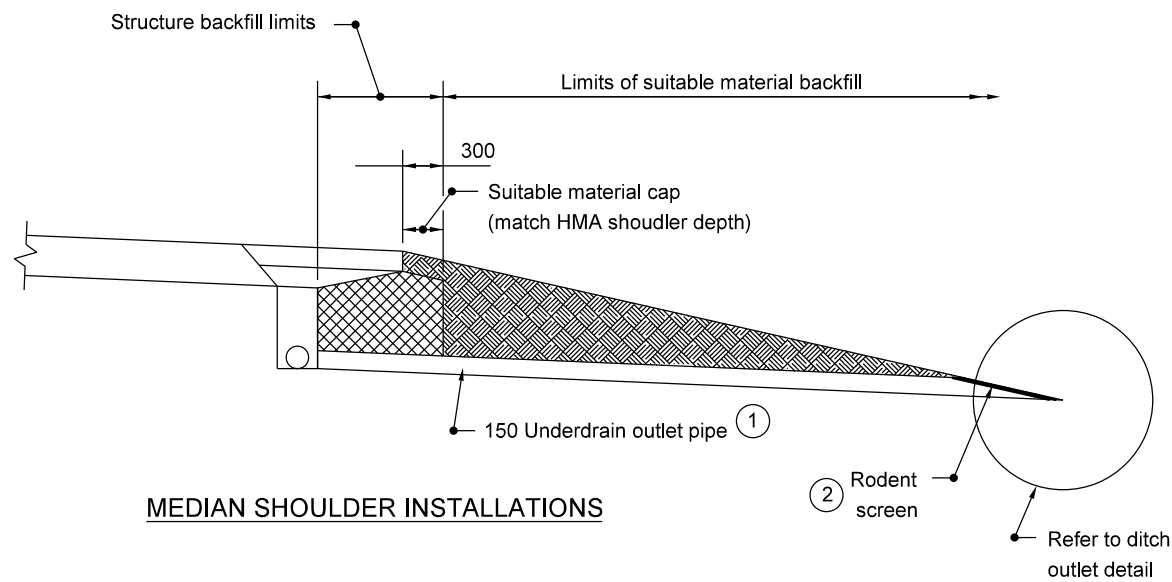


**OUTSIDE SHOULDER INSTALLATIONS**

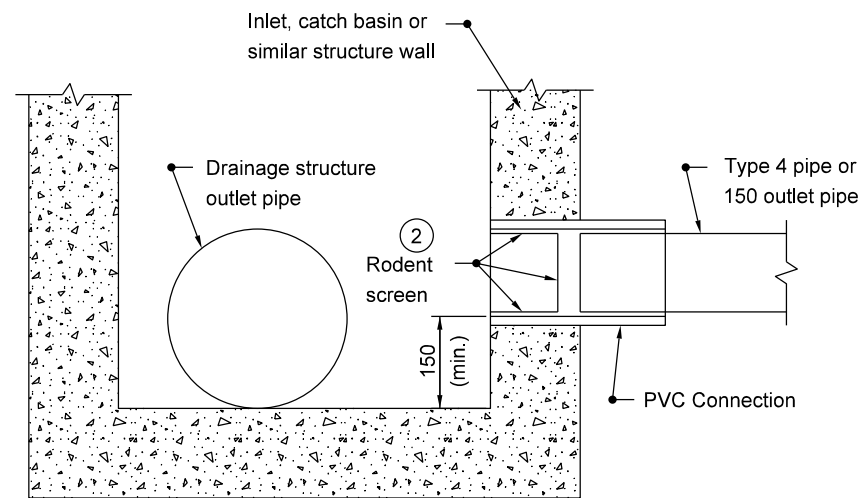


**DITCH OUTLET DETAIL**

**NOTE:**  
1. See Standard Drawing 718-UNDR-07 for General Notes.

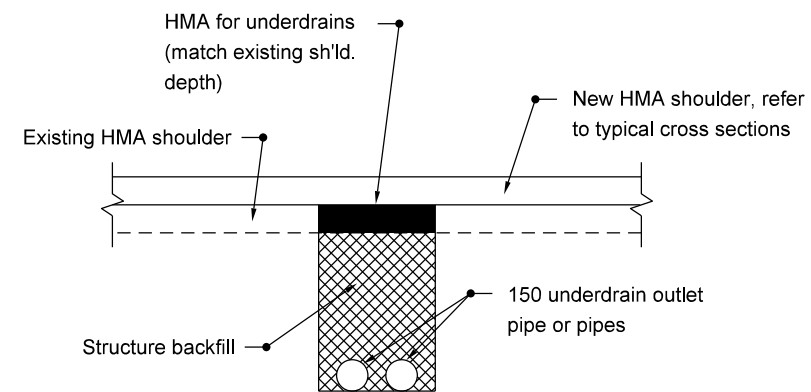


**MEDIAN SHOULDER INSTALLATIONS**



**DRAINAGE STRUCTURE OUTLET DETAIL**

All Dimensions are in mm unless otherwise specified.



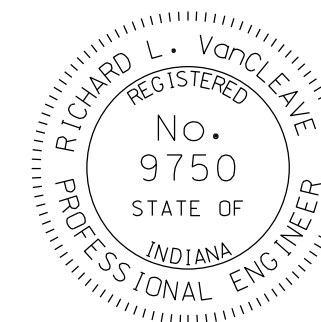
**RETROFIT UNDERDRAIN OUTLET DETAIL (UNDER PAVED SHOULDER)**

**INDIANA DEPARTMENT OF TRANSPORTATION**

**UNDERDRAIN DETAILS**

**SEPTEMBER 2009**

**STANDARD DRAWING NO. 718-UNDR-02**



DESIGN STANDARDS ENGINEER

*/s/ Richard L. VanCleave* 09/01/09  
DESIGN STANDARDS ENGINEER DATE

*/s/ Mark A. Miller* 09/01/09  
CHIEF HIGHWAY ENGINEER DATE