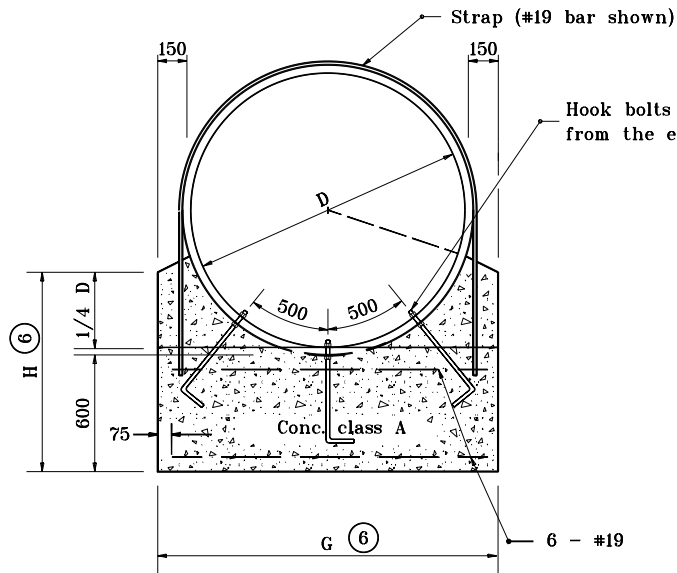
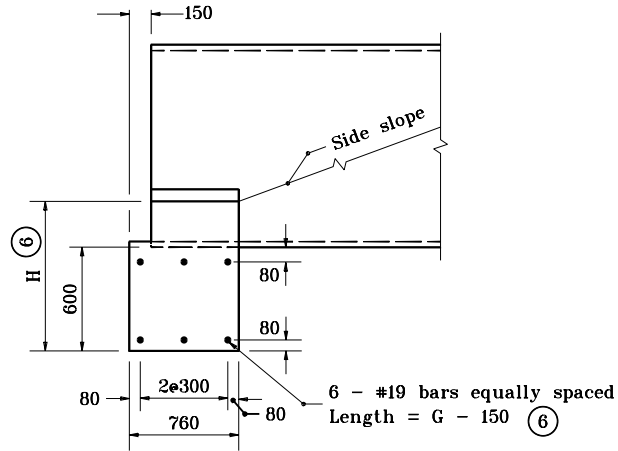


GENERAL NOTES

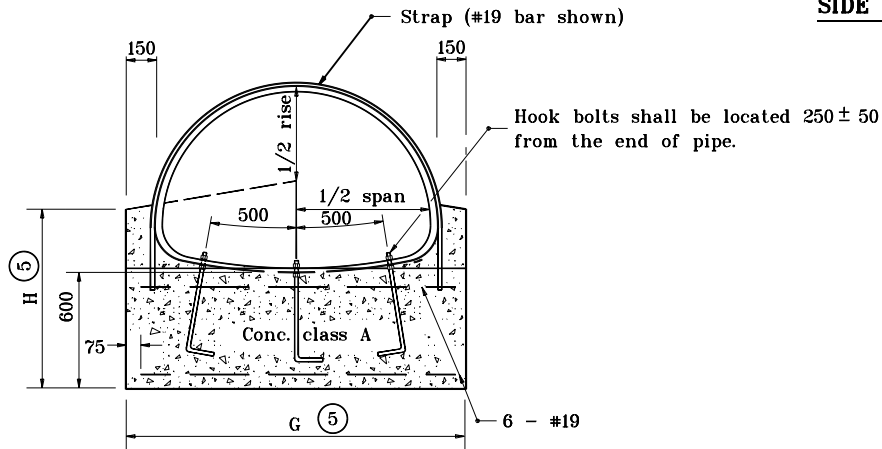
- Anchor straps shall be used at both upstream and downstream ends of all structural plate pipes and pipe-arches.
- See Standard Drawing 715-PASD-01 for anchor strap details.
- Hook bolts, and anchor straps shall be used at all structural plate pipes and pipe arches with a diameter or span of 2100 or greater.
- See Standard Drawing 715-PAHB-01 for hook bolt details.
- For dimension, enter chart on Standard Drawing 717-ANCH-01 or 717-ANCH-03 with known span and rise.
- For dimension, enter chart on Standard Drawing 717-ANCH-02 with known dimension D.



**ANCHOR FOR STRUCTURAL PLATE PIPE
FRONT ELEVATION**



SIDE ELEVATION

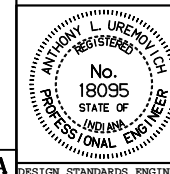


**ANCHOR FOR STRUCTURAL
PLATE PIPE-ARCH
FRONT ELEVATION**

All dimensions are in mm unless otherwise specified.

INDIANA DEPARTMENT OF TRANSPORTATION
**SINGLE STRUCTURAL PLATE
PIPE CONCRETE ANCHOR**
JANUARY 1998

STANDARD DRAWING NO. 717-SPCA-01



/s/ Anthony L. Uremovich 1-02-98
DESIGN STANDARDS ENGINEER DATE

/s/ Donald W. Lucas 1-02-98
CHIEF HIGHWAY ENGINEER DATE

Source Sheet: ME1A