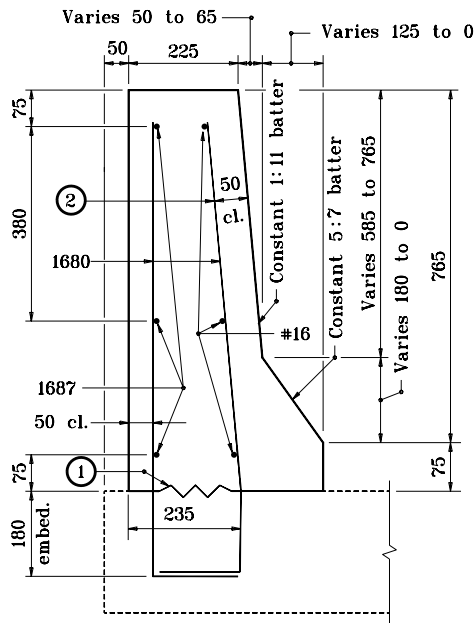
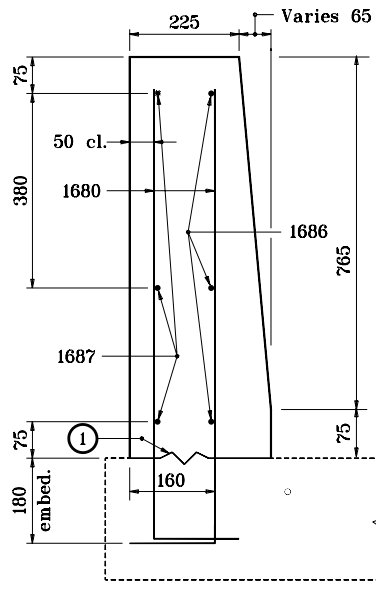


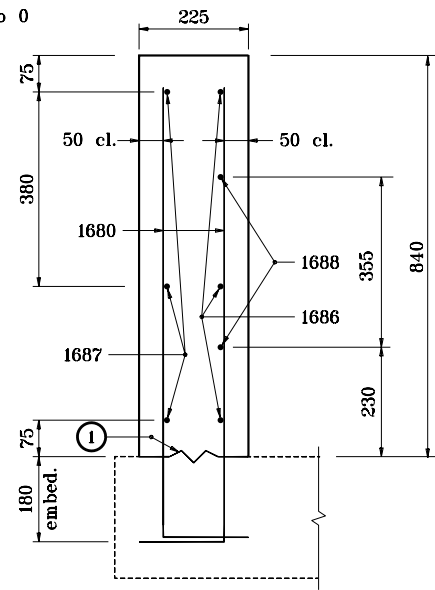
SECTION A-A



SECTION B-B



SECTION C-C



SECTION D-D

NOTES :

- ① Type A construction joint.
- ② These bars shall be field bent to provide 50 mm clearance along the batter (constant 1:1), front face bridge rail.
3. See Standard Drawing 706-TWBC-01 for Plan and Elevation.

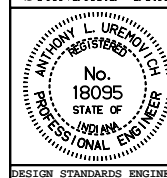
All dimensions are in mm unless otherwise specified.

INDIANA DEPARTMENT OF TRANSPORTATION

**CONCRETE BRIDGE RAILING
TRANSITION TYPE WBC**

SEPTEMBER 2001

STANDARD DRAWING NO. **706-TWBC-02**



/s/ Anthony L. Uremovich 9-04-01
DESIGN STANDARDS ENGINEER DATE

/s/ Firooz Zandi 9-04-01
CHIEF HIGHWAY ENGINEER DATE

DESIGN STANDARDS ENGINEER