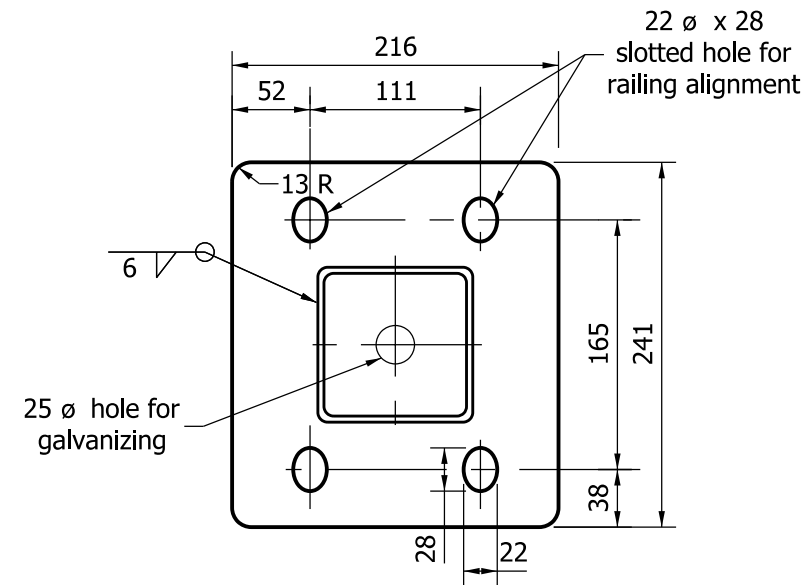
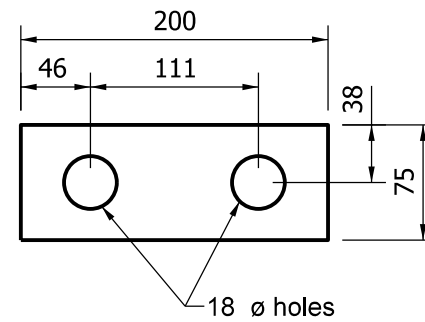


**NOTES:**

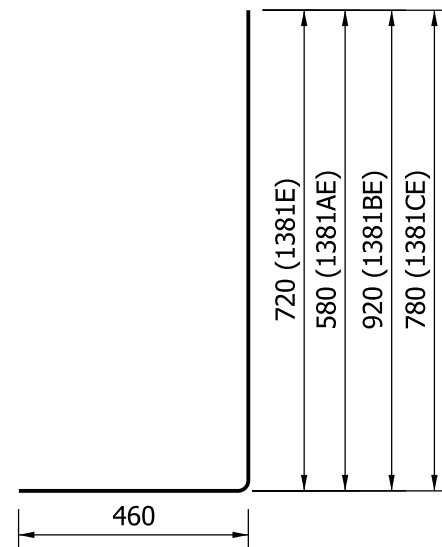
1. See Standard Drawing 703-BRST-01 for standard 180° bar bending details.
2. All reinforcing bars designated "E" shall be epoxy coated.



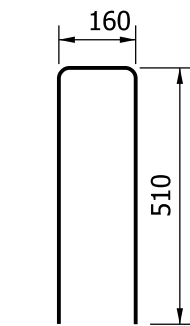
**BASE PLATE DETAIL**



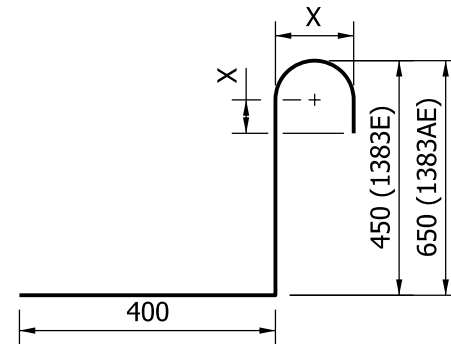
**BEARING PLATE DETAIL**



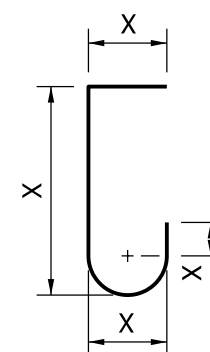
1381 x 1180  
1381AE x 1040  
1381BE x 1380  
1381CE x 1240



1382E x 1180



1383E x 1160  
1383AE x 1360



1384E x 800

All Dimensions are in mm unless otherwise specified.

<b>INDIANA DEPARTMENT OF TRANSPORTATION</b>	
<b>RAILING, PF &amp; PS DETAILS</b>	
<b>SEPTEMBER 2011</b>	
<b>STANDARD DRAWING NO.</b>	<b>706-BRPP-06</b>
	<i>/s/ Richard L. VanCleave</i> <b>09/01/11</b> DESIGN STANDARDS ENGINEER      DATE
	<i>/s/ Richard K. Smuizer</i> <b>09/01/11</b> CHIEF HIGHWAY ENGINEER      DATE
<b>DESIGN STANDARDS ENGINEER</b>	