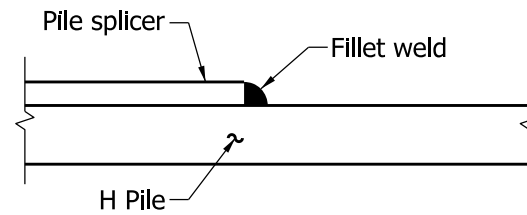
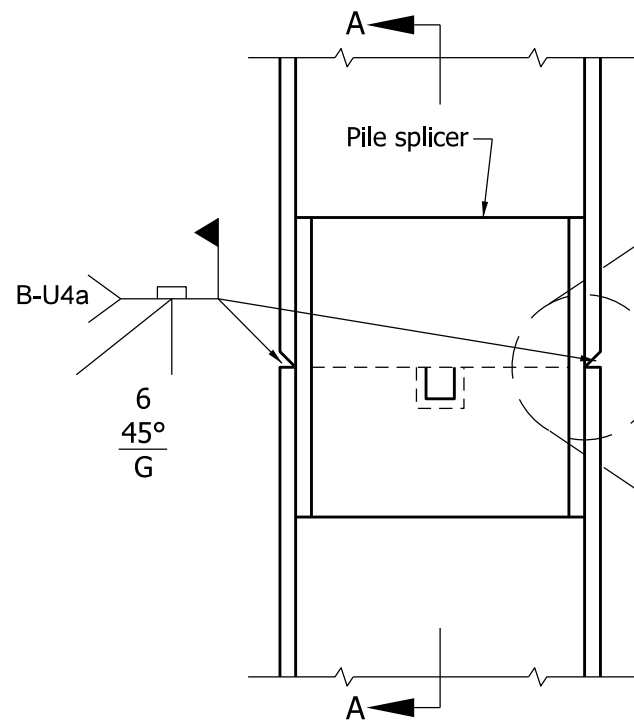


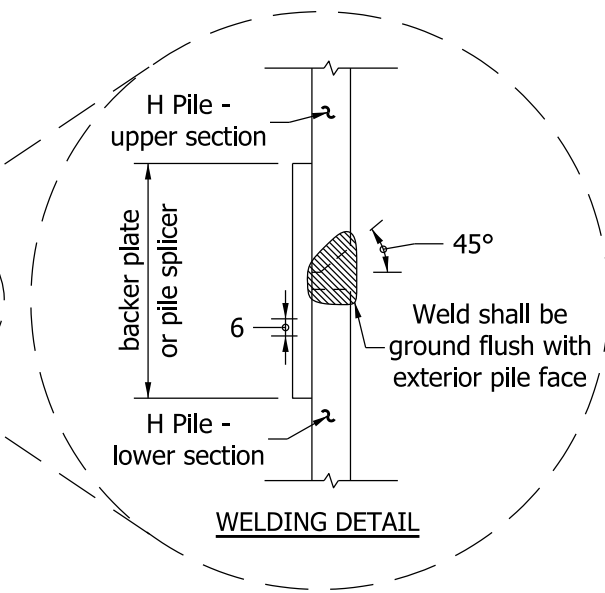
PLAN



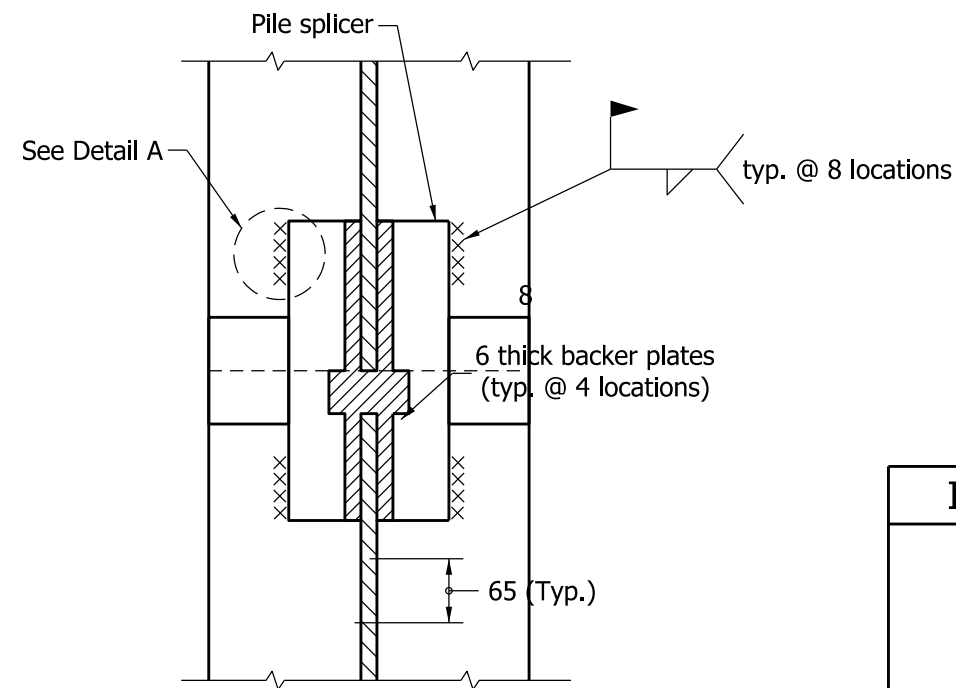
DETAIL A



ELEVATION



ALTERNATE STEEL H PILE SPLICE
USING COMMERCIAL PILE SPLICER



SECTION A-A

All Dimensions are in mm unless otherwise specified.

INDIANA DEPARTMENT OF TRANSPORTATION	
ALTERNATE STEEL H-PILE SPLICE	
SEPTEMBER 2011	
STANDARD DRAWING NO.	701-BPIL-06
	<i>/s/ Richard L. VanCleave</i> 09/01/11 DESIGN STANDARDS ENGINEER DATE
	<i>/s/ Mark A. Miller</i> 09/01/11 CHIEF HIGHWAY ENGINEER DATE
DESIGN STANDARDS ENGINEER	