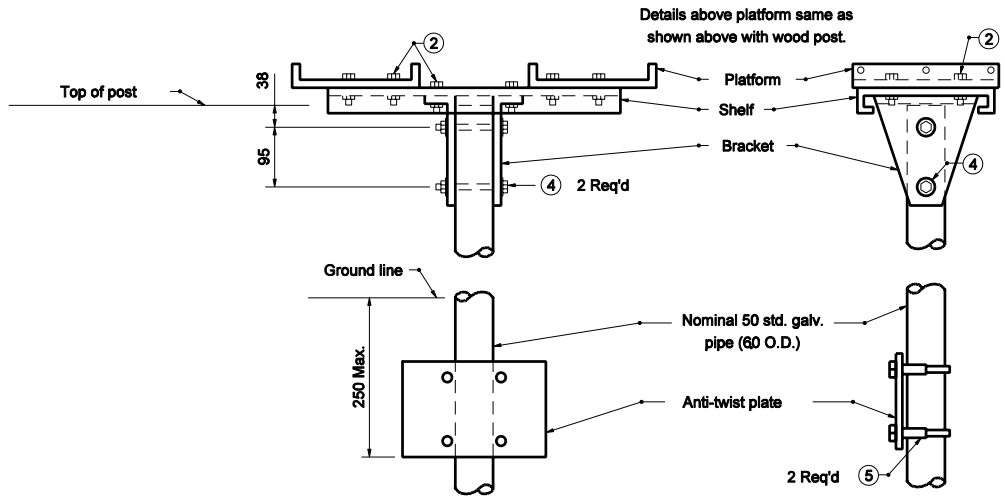


**LEGEND**

- ① M4 x "L" truss head machine screw with 2 M4 flat washers, M4 lock washer, and M4 hex nut.
- ② M8 x 20 hex cap screw with 2 M8 flat washers, M8 lock washers, and M8 hex nut.
- ③ M8 x 115 hex cap screw with 2 M8 flat washers, M8 lock washers, and M8 hex nut.
- ④ M8 x 80 hex cap screw with 2 M8 flat washers, M8 lock washers, M8 lock washer, and M8 hex nut.
- ⑤ Nominal 70 muffler clamp
- ⑥ For platform, bracket, shelf, spacer and anti-twist plate details, see Standard Drawing E 611-MBAS-03.

**WITH WOOD POST**



**WITH PIPE POST**

All dimensions are in mm unless otherwise specified

INDIANA DEPARTMENT OF TRANSPORTATION	
<b>DOUBLE MAILBOX ASSEMBLY</b>	
MARCH 2005	
STANDARD DRAWING NO. 611-MBAS-02	
	<i>/s/ Richard L. VanCleave</i> 3-01-05 <small>DESIGN STANDARDS ENGINEER DATE</small>
	<i>/s/ Richard K. Smutzer</i> 3-01-05 <small>CHIEF HIGHWAY ENGINEER DATE</small>
<small>DESIGN STANDARDS ENGINEER</small>	