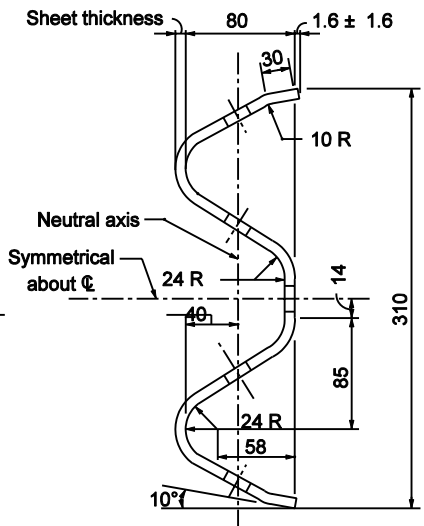


W-BEAM BACKUP PLATE

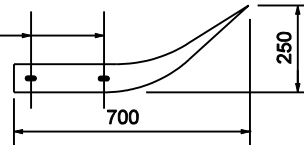


SECTION THROUGH BEAM ELEMENT

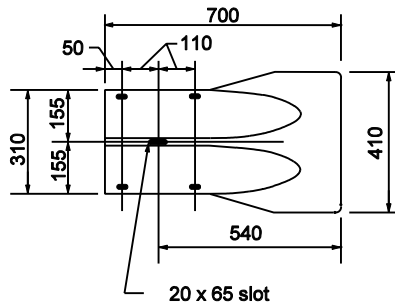
GENERAL NOTES

1. This sheet shall be used when W-beam guardrail is specified. This sheet shall also be used when a W-beam guardrail system requires the use of standard W-beam guardrail components.
2. The details on this sheet are for the standard components of W-beam guardrail.

23 x 30 slot for M16 button head bolt

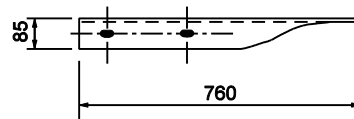


TOP VIEW

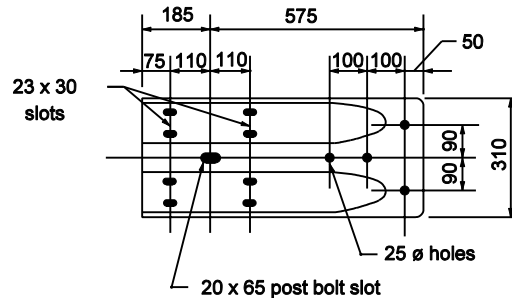


FRONT VIEW

CURVED TERMINAL END



TOP VIEW



FRONT VIEW

W-BEAM TERMINAL CONNECTOR

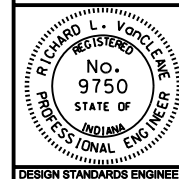
All Dimension are in mm unless otherwise specified

INDIANA DEPARTMENT OF TRANSPORTATION

**W-BEAM
GUARDRAIL COMPONENTS**

MARCH 2003

STANDARD DRAWING NO. 601-WBGC-01



/s/ Richard L. VanCleave 3-03-03
DESIGN STANDARDS ENGINEER DATE

/s/ Richard K. Smutzer 3-03-03
CHIEF HIGHWAY ENGINEER DATE

DESIGN STANDARDS ENGINEER