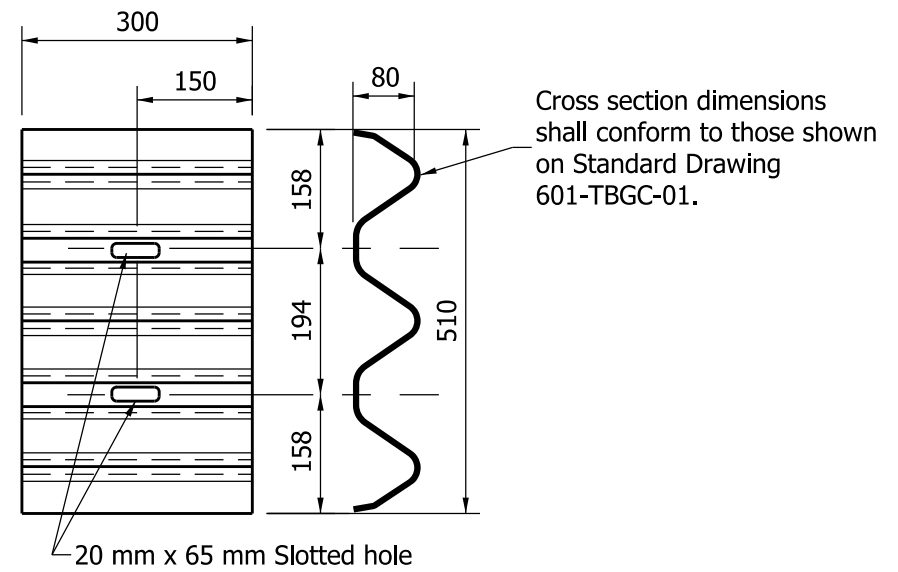


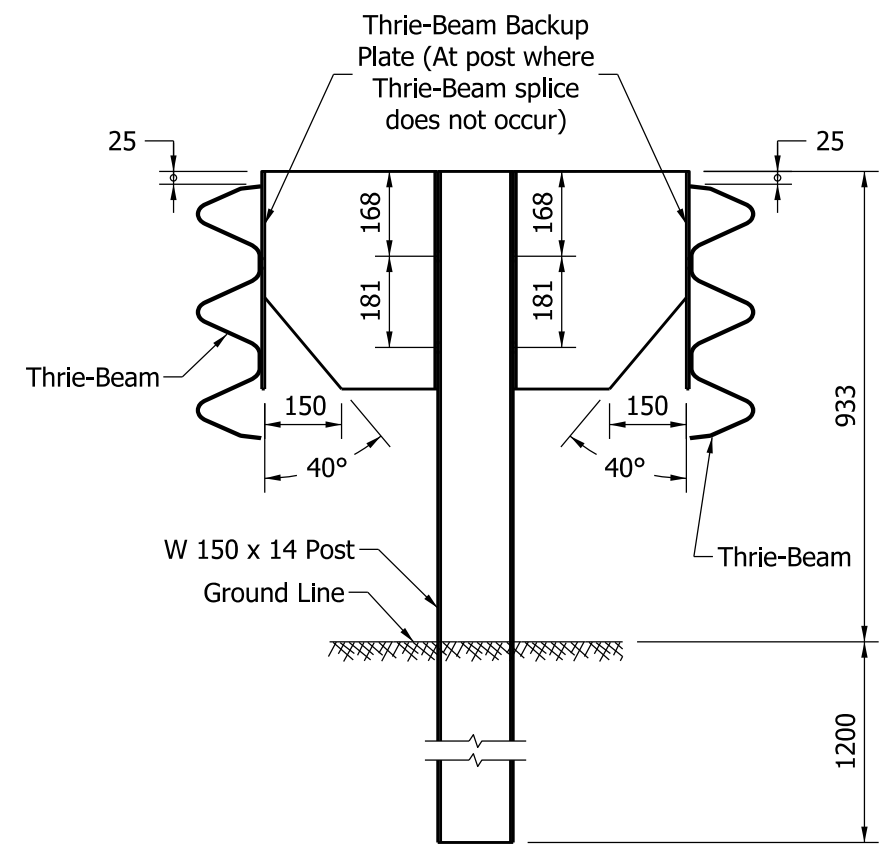
**THRIE BEAM GUARDRAIL**



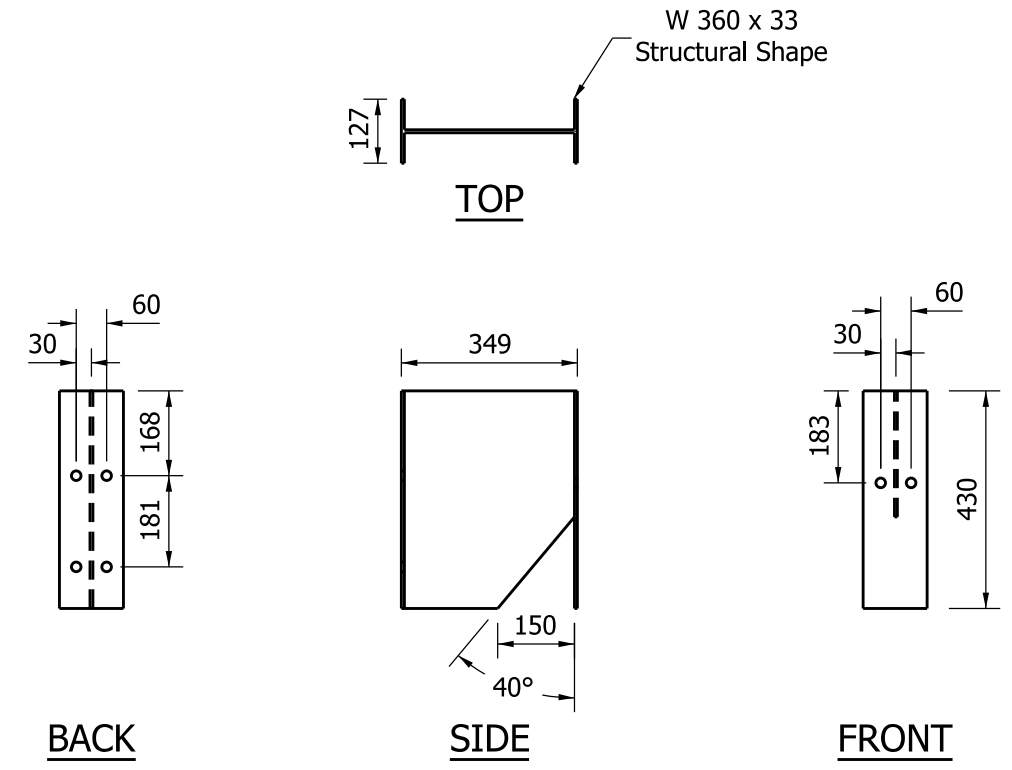
**THRIE BEAM GUARDRAIL BACK-UP PLATE AT LOCATIONS WITHOUT SPLICE**

**NOTES:**

1. See Standard Drawing 601-TBGC-01 for Thrie Beam rail section details.
2. See Standard Drawings 601-TTGB-03 and 601-TTGB-04 for W 360 x 33 post hole pattern details.
3. Typical post spacing for Thrie Beam Guardrail and Double Faced Thrie Beam Guardrail is 1905.
4. Only the blockout material shown may be used.



**DOUBLE FACED THRIE BEAM GUARDRAIL**



**THRIE BEAM GUARDRAIL BLOCKOUT (STEEL ONLY)**

All Dimensions are in mm unless otherwise specified.

<b>INDIANA DEPARTMENT OF TRANSPORTATION</b>	
<b>THRIE BEAM GUARDRAIL DETAILS</b>	
<b>SEPTEMBER 2011</b>	
<b>STANDARD DRAWING NO. 601-MTGR-01</b>	
	<i>/s/ Richard L. VanCleave</i> 09/01/11 DESIGN STANDARDS ENGINEER      DATE
	<i>/s/ Mark A. Miller</i> 09/01/11 CHIEF HIGHWAY ENGINEER      DATE
DESIGN STANDARDS ENGINEER	