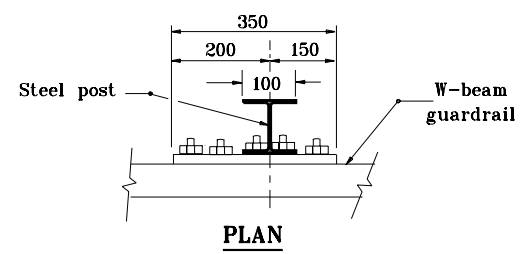
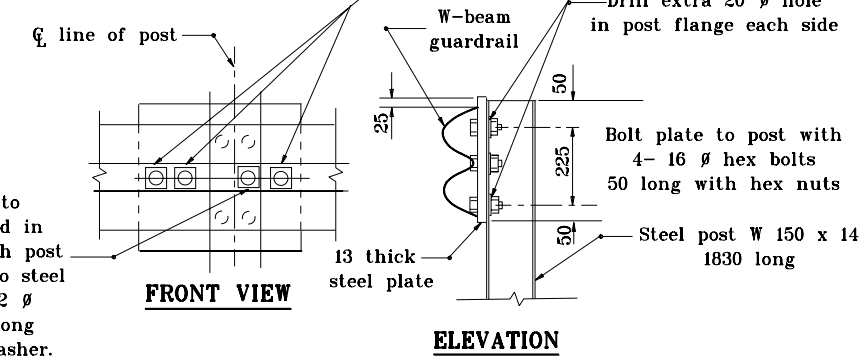


**STEEL PLATE DETAIL**

**STEEL PLATE AND WASHER DETAILS**

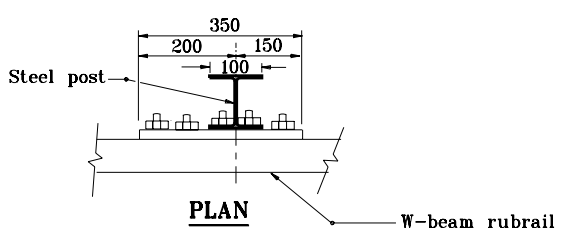


3 - 25  $\phi$  holes to be field drilled in rail and attached to steel plate with 22  $\phi$  hex bolts 50 long with square washer.

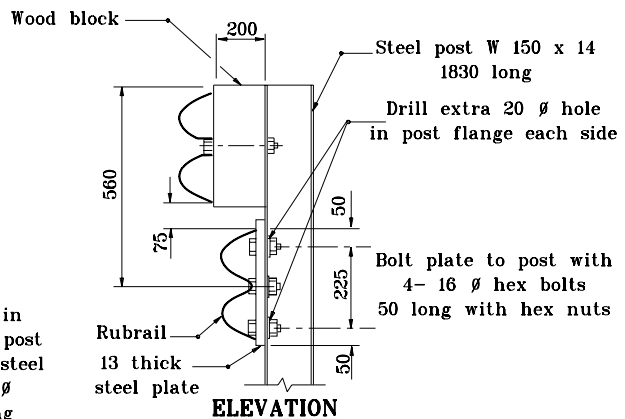


**POST ANCHOR DETAILS**

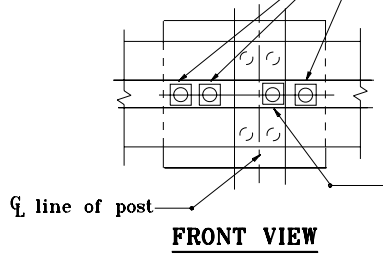
25  $\phi$  holes to be field drilled in rail and through post flange. Attach to steel plate with 22  $\phi$  hex bolts 50 long with square washer.



3 - 25  $\phi$  holes to be field drilled in rail and attached to steel plate with 22  $\phi$  hex bolts 50 long with square washer.



25  $\phi$  holes to be field drilled in rail and through post flange. Attach to steel plate with 22  $\phi$  hex bolts 50 long with square washer.



**RUBRAIL ANCHOR DETAILS**

All dimensions are in mm unless otherwise specified.

INDIANA DEPARTMENT OF TRANSPORTATION

**GUARDRAIL END TREATMENT**

**TPPE II-COMPONENTS**

SEPTEMBER 2000

STANDARD DRAWING NO. **601-GRET-11**

	<i>/s/ Anthony L. Uremovich</i> 9-01-00 DESIGN STANDARDS ENGINEER      DATE
	<i>/s/ Firooz Zandi</i> 9-01-00 CHIEF HIGHWAY ENGINEER      DATE

DESIGN STANDARDS ENGINEER