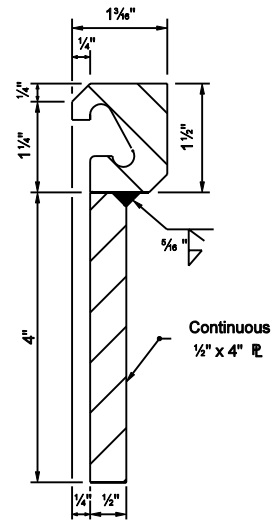
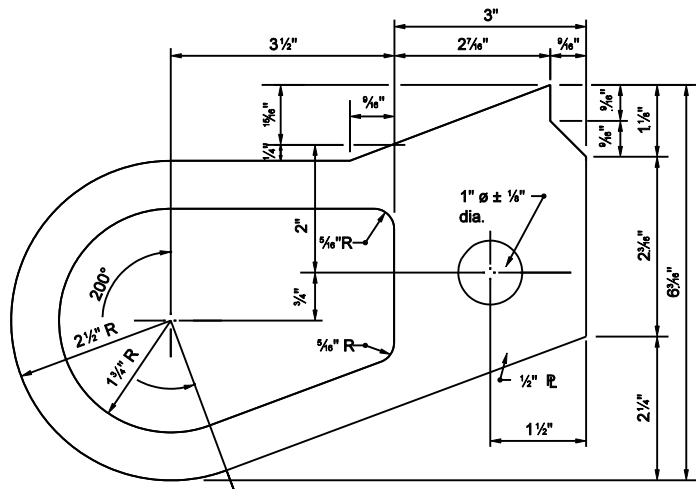


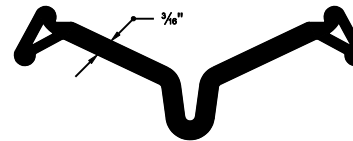
ANCHOR PLATE ALTERNATE B-1



**EXTRUSION & PLATE
ASSEMBLY DETAIL**



ANCHOR PLATE ALTERNATE B-2



STRIP SEAL

INDIANA DEPARTMENT OF TRANSPORTATION	
EXPANSION JOINTS CLASS SS (ALTERNATE B)	
SEPTEMBER 2003	
STANDARD DRAWING NO. E 724-BSSJ -02	
	/s/ Richard L. VanCleave 9-02-03 DESIGN STANDARDS ENGINEER DATE
	/s/ Richard K. Smutzer 9-02-03 CHIEF HIGHWAY ENGINEER DATE
DESIGN STANDARDS ENGINEER	