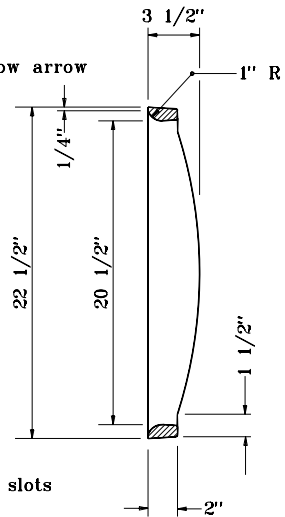
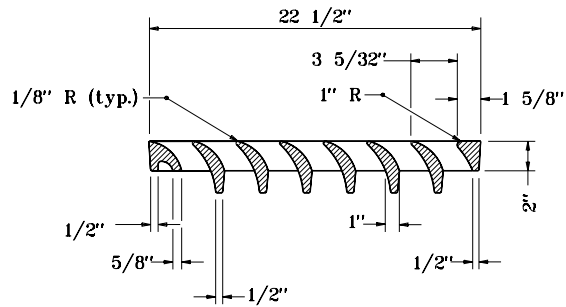


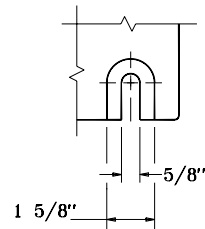
PLAN



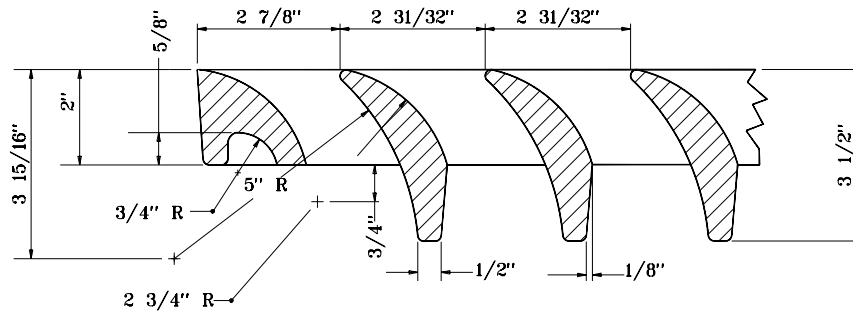
SECTION B-B



SECTION A-A



BOLT SLOT DETAIL

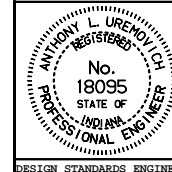


INDIANA DEPARTMENT OF TRANSPORTATION

**CASTING TYPE 15
GRATE**

SEPTEMBER 1998

STANDARD DRAWING NO. E 720-ICCA-17



DETAILS PLACED IN THIS FORMAT 11-15-99

/s/ Anthony L. Uremovich 11-15-99
 DESIGN STANDARDS ENGINEER DATE

/s/ Firooz Zandi 11-15-99
 CHIEF HIGHWAY ENGINEER DATE

DESIGN STANDARDS ENGINEER

ORIGINALLY APPROVED 9-01-98