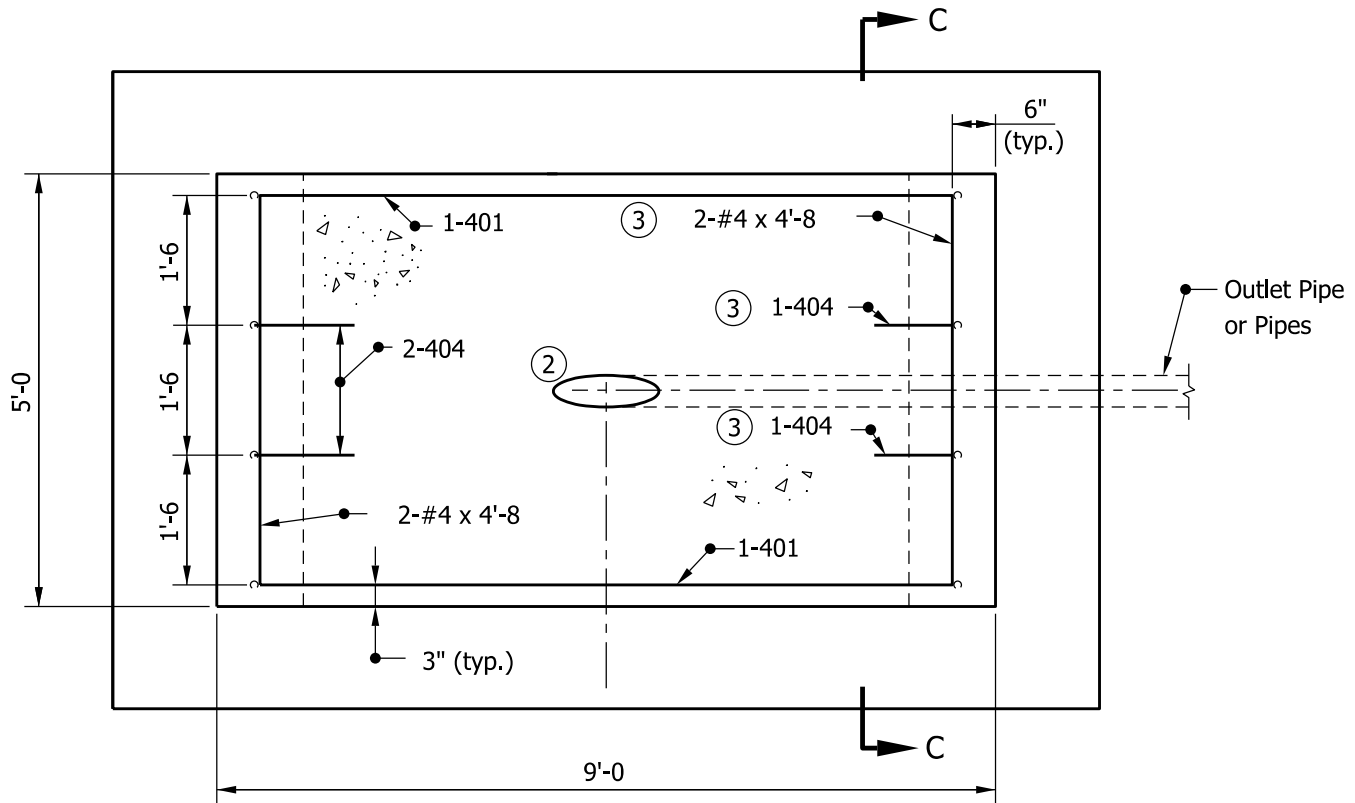
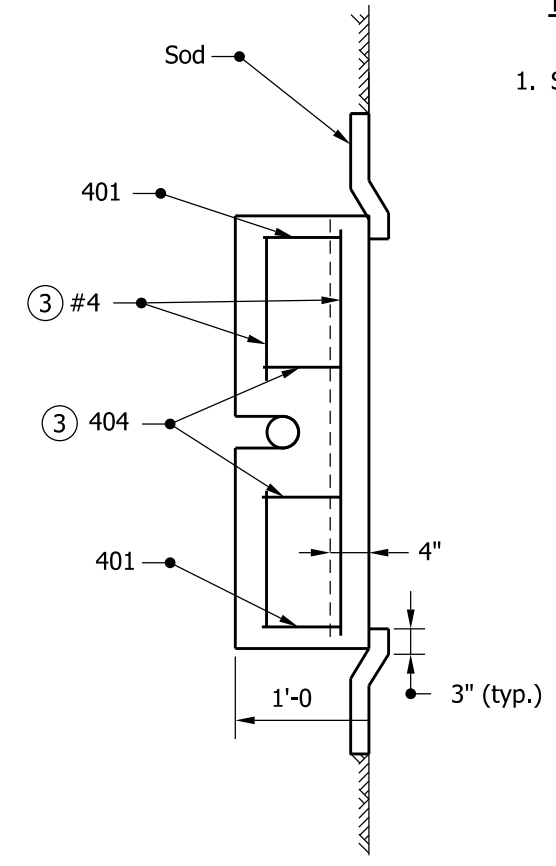


NOTE:

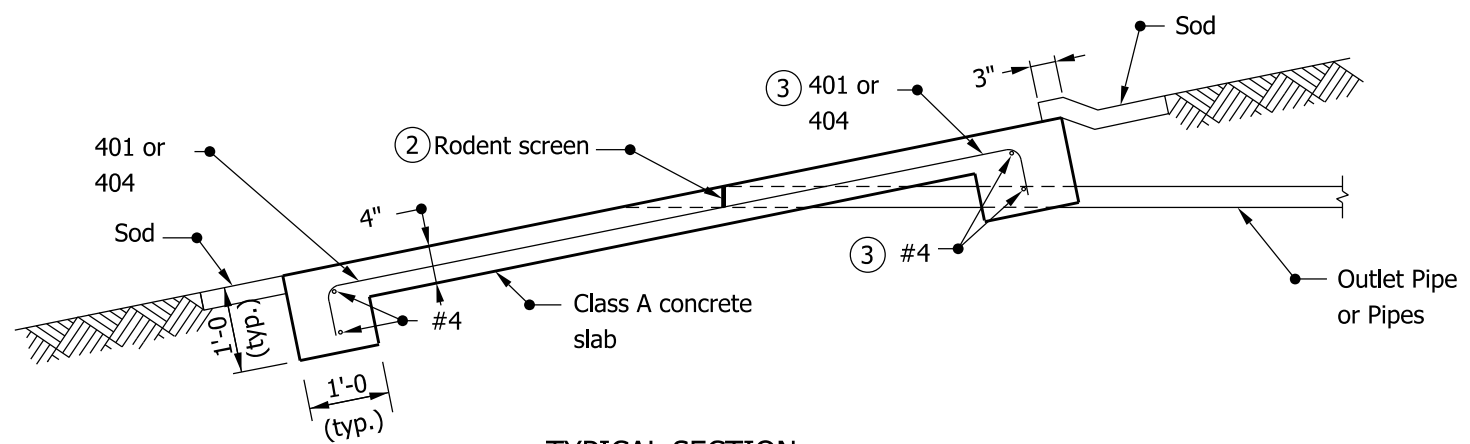
1. See Standard Drawing E 718-UNDR-07 for General Notes.



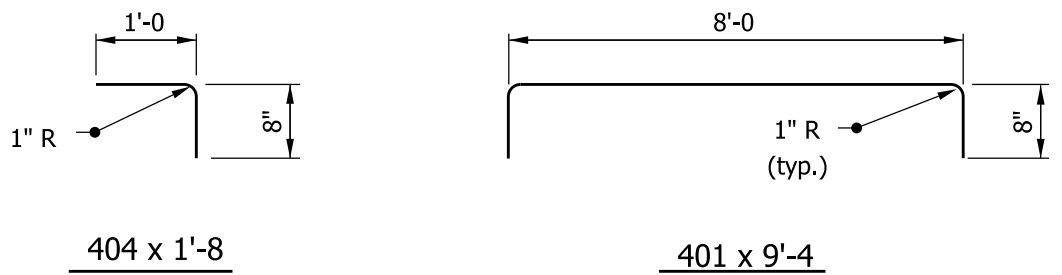
PLAN VIEW



SECTION C-C



TYPICAL SECTION



INDIANA DEPARTMENT OF TRANSPORTATION									
OUTLET PROTECTOR, TYPE 1									
SEPTEMBER 2009									
STANDARD DRAWING NO. E 718-UNDR-03									
	<table style="width: 100%; border-collapse: collapse;"> <tr> <td style="border-bottom: 1px solid black; padding: 2px;"><i>/s/ Richard L. VanCleave</i></td> <td style="border-bottom: 1px solid black; padding: 2px;">09/01/09</td> </tr> <tr> <td style="padding: 2px;">DESIGN STANDARDS ENGINEER</td> <td style="padding: 2px;">DATE</td> </tr> <tr> <td style="border-bottom: 1px solid black; padding: 2px;"><i>/s/ Mark A. Miller</i></td> <td style="border-bottom: 1px solid black; padding: 2px;">09/01/09</td> </tr> <tr> <td style="padding: 2px;">CHIEF HIGHWAY ENGINEER</td> <td style="padding: 2px;">DATE</td> </tr> </table>	<i>/s/ Richard L. VanCleave</i>	09/01/09	DESIGN STANDARDS ENGINEER	DATE	<i>/s/ Mark A. Miller</i>	09/01/09	CHIEF HIGHWAY ENGINEER	DATE
<i>/s/ Richard L. VanCleave</i>	09/01/09								
DESIGN STANDARDS ENGINEER	DATE								
<i>/s/ Mark A. Miller</i>	09/01/09								
CHIEF HIGHWAY ENGINEER	DATE								
DESIGN STANDARDS ENGINEER									