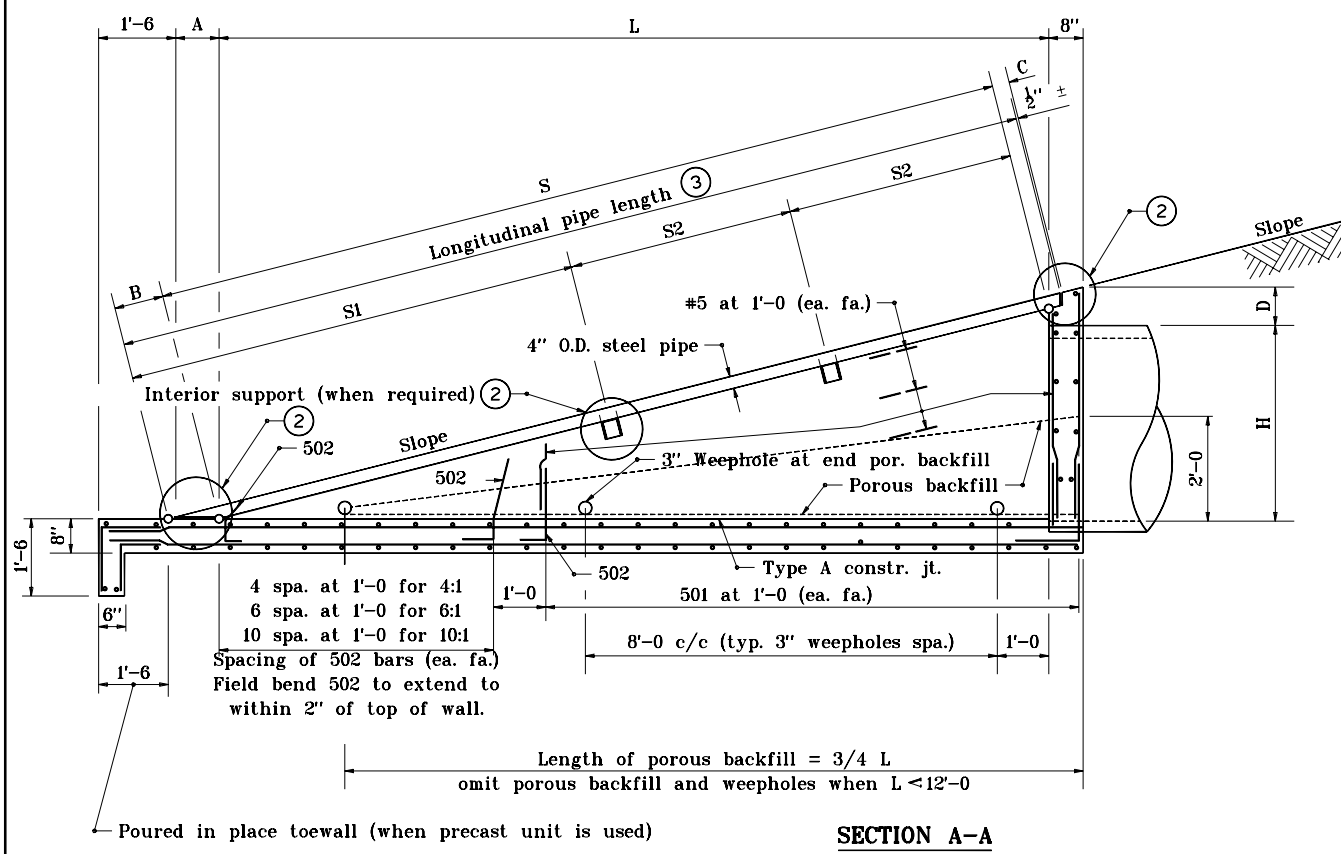


GRATE REMOVED SECTION B-B

GENERAL NOTES

- The invert grade of the grated box end section shall be the same as that of the pipe.
- See Standard Drawing E 715-GBTO-04 for Details A, B, C, and D.
- See Standard Drawings E 715-GBTO-05 through -08 for tables.
- Type I grated box end section shall be used for mainline cross-culverts, outlet pipes within the clear zone.
- See Standard Drawing E 715-GBTO-02 for bending diagrams.



INDIANA DEPARTMENT OF TRANSPORTATION	
GRATED BOX END SECTION	
TYPE I	
JANUARY 1999	
STANDARD DRAWING NO. E 715-GBTO-01	
DETAILS PLACED IN THIS FORMAT 11-15-99	
	/s/ Anthony L. Uremovich 11-15-99 DESIGN STANDARDS ENGINEER DATE
	/s/ Firooz Zandi 11-15-99 CHIEF HIGHWAY ENGINEER DATE
DESIGN STANDARDS ENGINEER	ORIGINALLY APPROVED 1-04-99