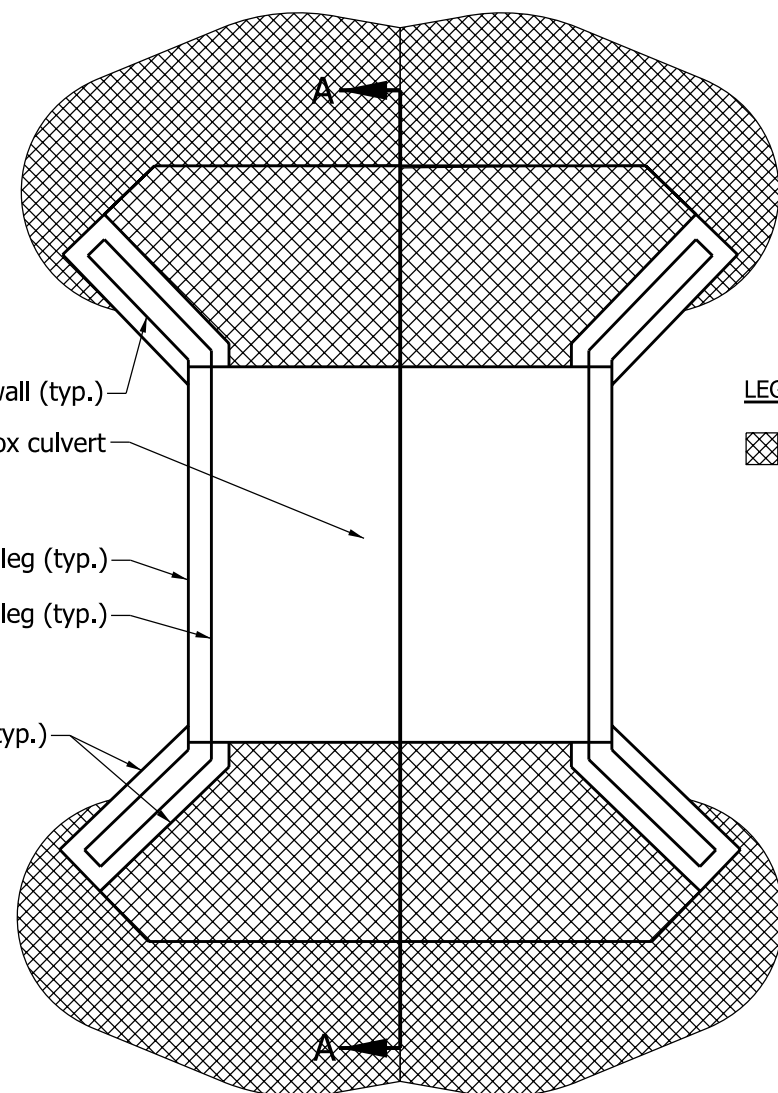



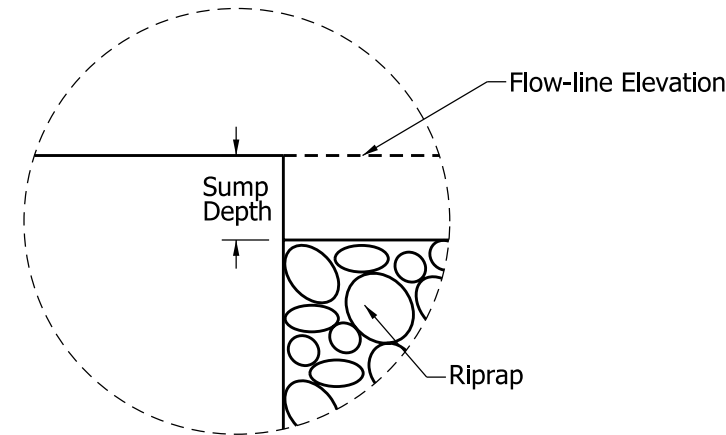
SECTION A-A ELEVATION



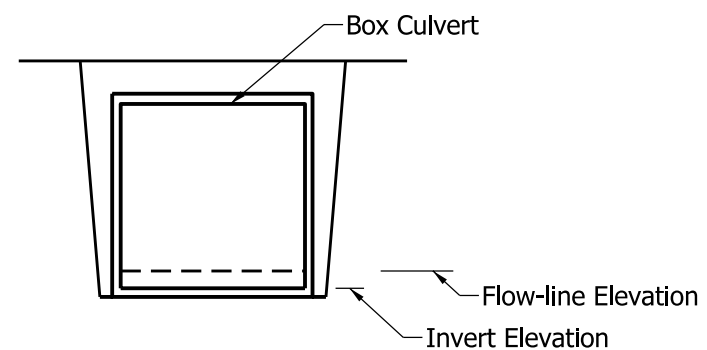
PLAN - WITH WINGWALLS

Wingwall (typ.)
 Bottom of box culvert
 Outside face of box culvert leg (typ.)
 Inside face of box culvert leg (typ.)
 Wingwall footing (typ.)

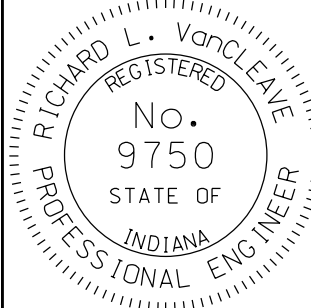
LEGEND:
 Riprap on geotextiles as shown on the plans.



DETAIL A



SECTION B-B

INDIANA DEPARTMENT OF TRANSPORTATION	
BOX CULVERT SUMPING AND SCOUR PROTECTION	
SEPTEMBER 2011	
STANDARD DRAWING NO.	E 714-BCSP-01
	/s/ <i>Richard L. VanCleave</i> 09/01/11
	DESIGN STANDARDS ENGINEER DATE
	/s/ <i>Mark A. Miller</i> 09/01/11
	CHIEF HIGHWAY ENGINEER DATE
DESIGN STANDARDS ENGINEER	