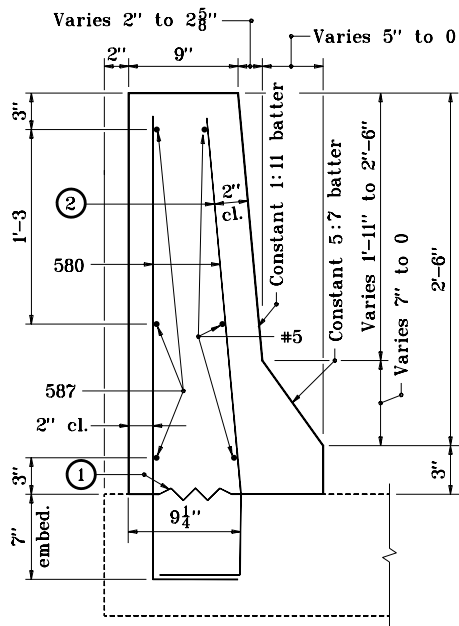
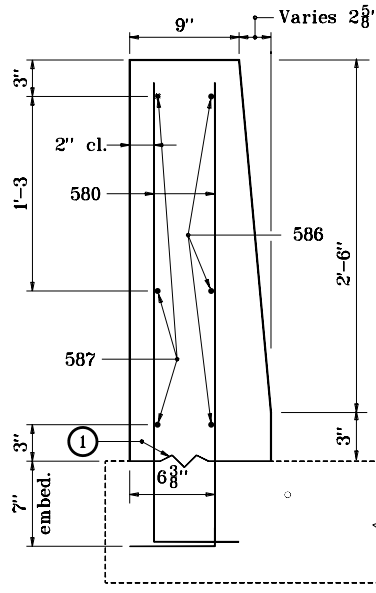


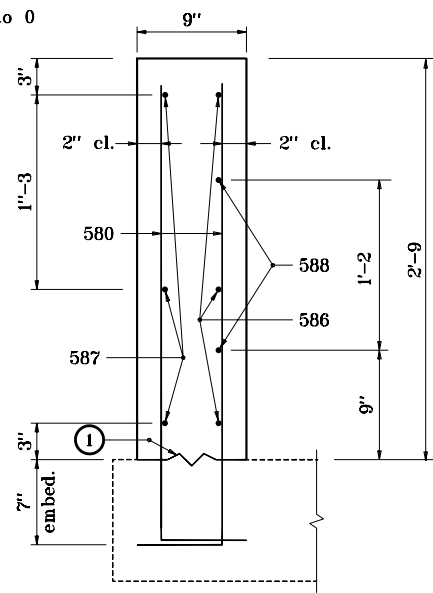
SECTION A-A



SECTION B-B



SECTION C-C



SECTION D-D

NOTES :

- ① Type A construction joint.
- ② These bars shall be field bent to provide 2' clearance along the batter (constant 1:11), front face bridge rail.
- 3. See Standard Drawing E 706-TWBC-01 for Plan and Elevation.

INDIANA DEPARTMENT OF TRANSPORTATION	
CONCRETE BRIDGE RAILING	
TRANSITION TYPE WBC	
SEPTEMBER 2001	
STANDARD DRAWING NO. E 706-TWBC-02	
	<i>/s/ Anthony L. Uremovich</i> 9-04-01 <small>DESIGN STANDARDS ENGINEER DATE</small>
	<i>/s/ Firooz Zandi</i> 9-04-01 <small>CHIEF HIGHWAY ENGINEER DATE</small>
<small>DESIGN STANDARDS ENGINEER</small>	