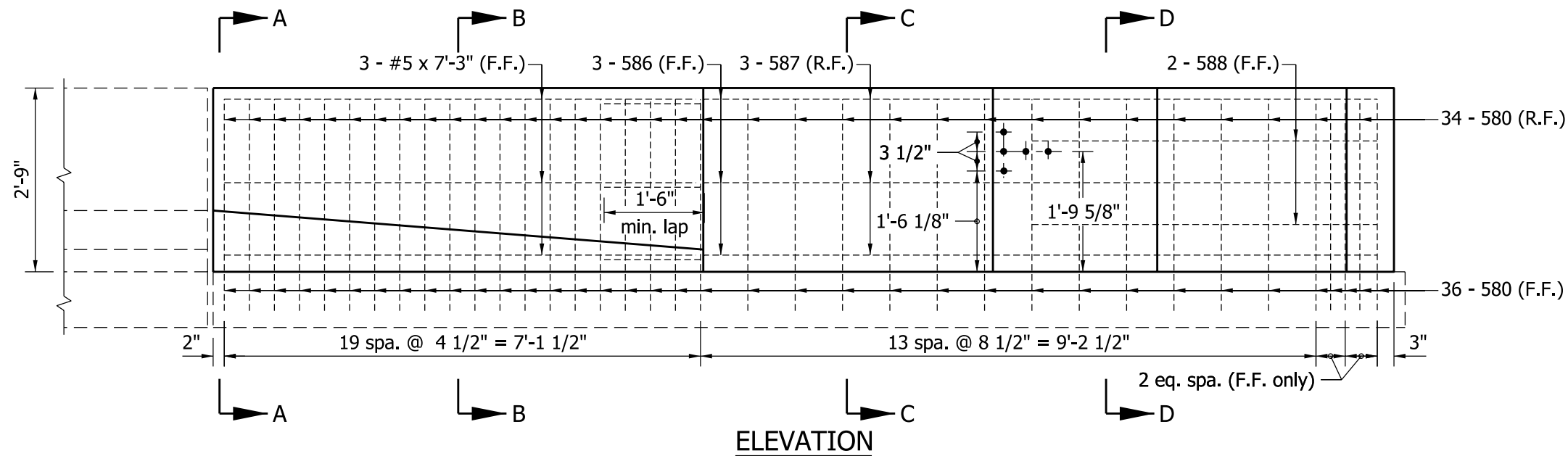
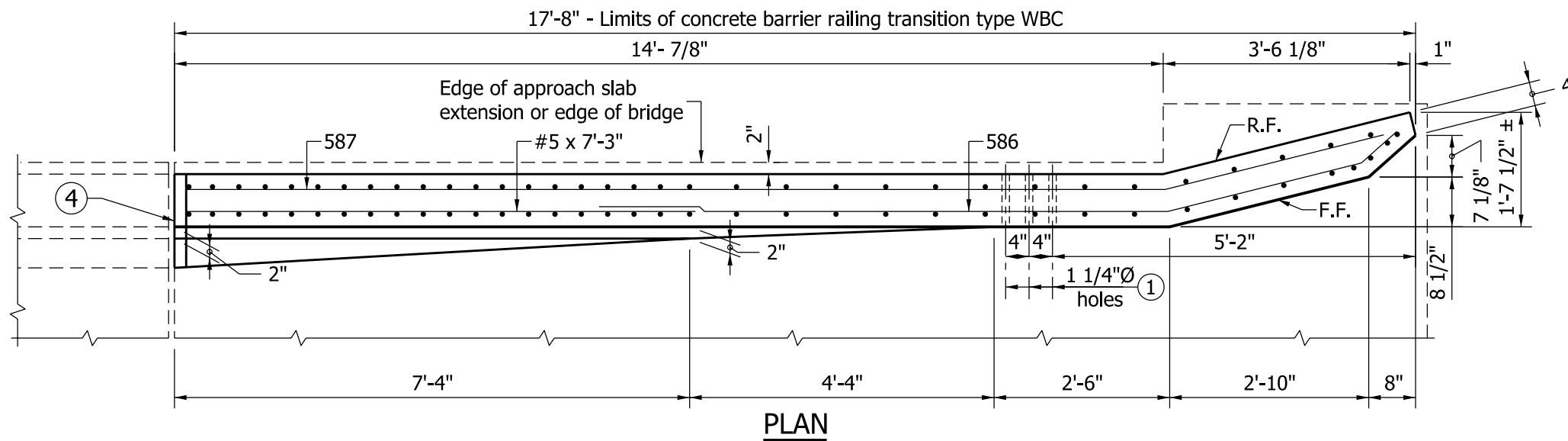


**NOTES:**

- ① See Standard Drawing E 706-CBRT-02 for details of guardrail transition type WGB attachment.
2. See Standard Drawing E 706-TWBC-02 for Section A-A, B-B, C-C and D-D and Drawing E 706-TWBC-03 for reinforcement and bill of materials.
3. See Standard Drawing E 706-TASE-05 for General Notes.

**LEGEND :**

F.F. = Front Face  
R.F. = Rear Face



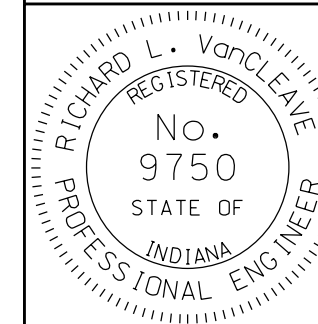
2'-9" COMMON HEIGHT W-BEAM/  
CONCRETE BRIDGE RAILING TRANSITION

INDIANA DEPARTMENT OF TRANSPORTATION

CONCRETE BRIDGE RAILING  
TRANSITION TYPE WBC

SEPTEMBER 2011

STANDARD DRAWING NO. E 706-TWBC-01



/s/ Richard L. VanCleave 09/01/11  
DESIGN STANDARDS ENGINEER DATE

/s/ Mark A. Miller 09/01/11  
CHIEF HIGHWAY ENGINEER DATE

DESIGN STANDARDS ENGINEER