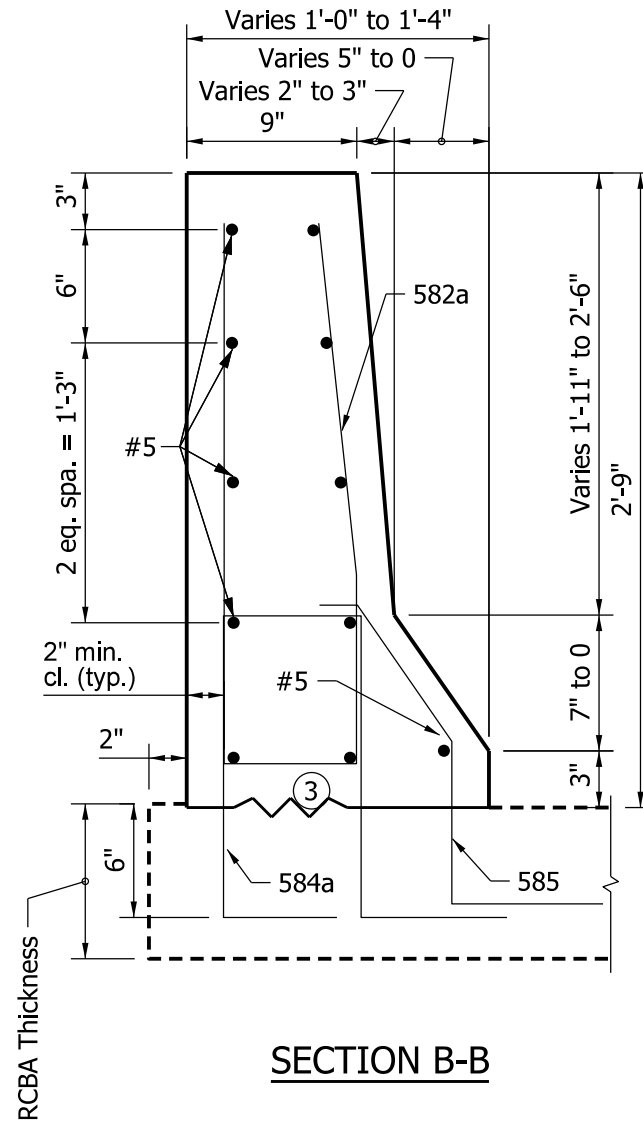
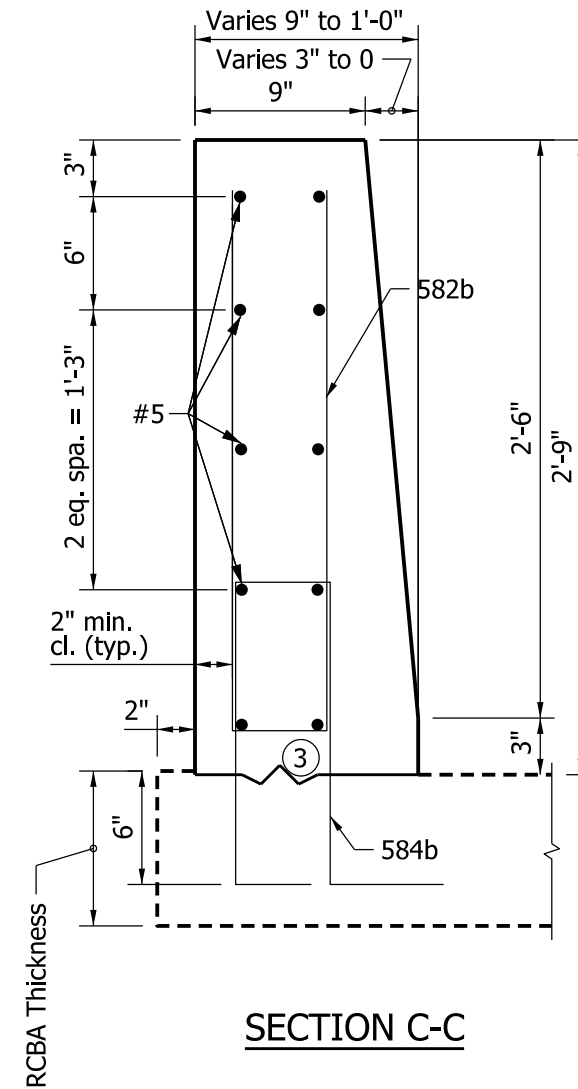


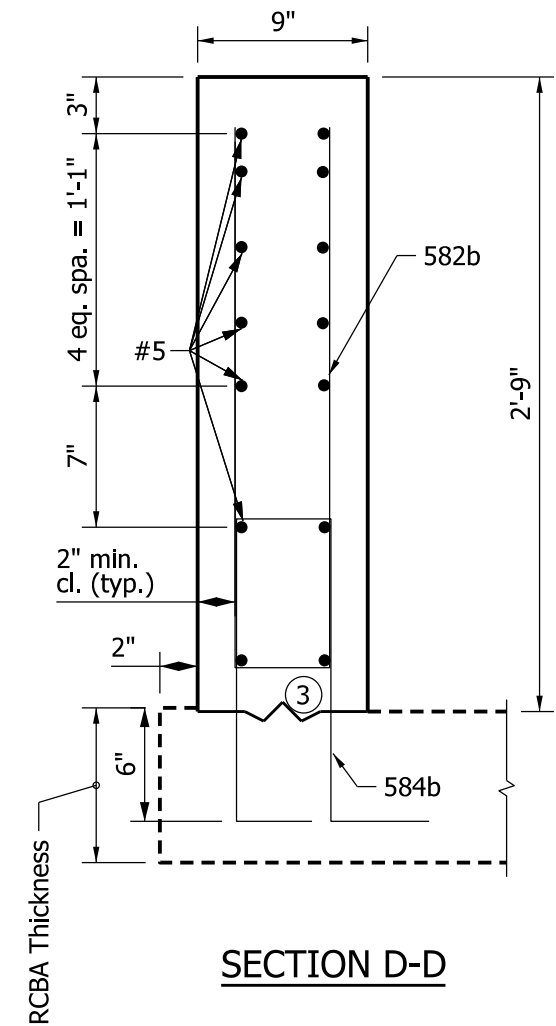
SECTION A-A



SECTION B-B



SECTION C-C

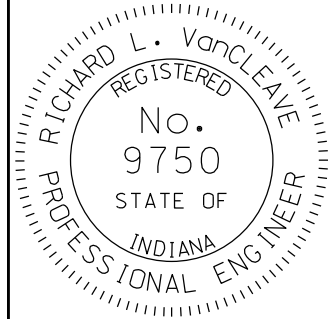


SECTION D-D

NOTES:

1. See Standard Drawing E 706-TTBC-01 for Plan and Elevation.
2. See Standard Drawing E 703-BRST-01 for bar bending details and reinforcing bar notes.
- ③ Type A construction joint. See Standard Drawing E 702-CJTA-01 for details.
4. See Standard Drawing E 706-TTBC-03 for reinforcement details.

**2'-9" COMMON HEIGHT THRIE BEAM
CONCRETE BRIDGE RAILING TRANSITION**

| | |
|---|---|
| INDIANA DEPARTMENT OF TRANSPORTATION | |
| CONCRETE BRIDGE RAILING TRANSITION TYPE TBC SECTIONS | |
| SEPTEMBER 2011 | |
| STANDARD DRAWING NO. | E 706-TTBC-02 |
|  | <i>/s/ Richard L. VanCleave</i> 09/01/11 DESIGN STANDARDS ENGINEER DATE |
| DESIGN STANDARDS ENGINEER | <i>/s/ Mark A. Miller</i> 09/01/11 CHIEF HIGHWAY ENGINEER DATE |