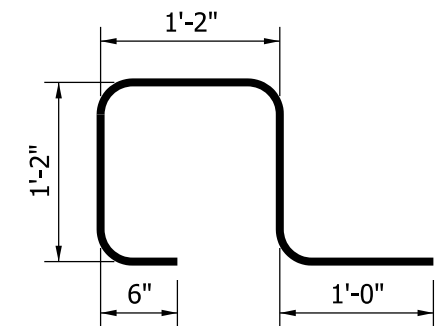
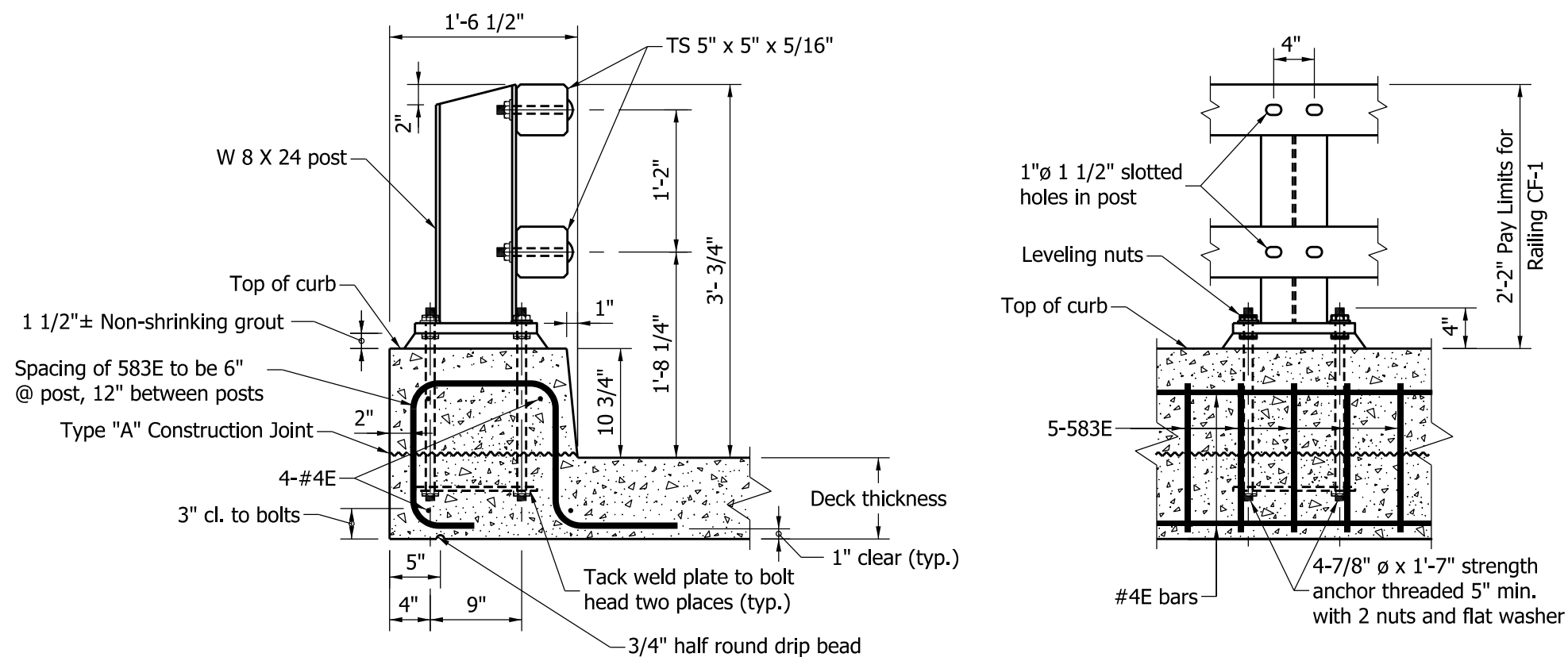


NOTES

1. Guardrail connection may be omitted on exit end of one-way structure when omitted in detail plans.
2. Railing units shall be continuous over 2 or more posts.
3. See Standard Drawing E 706-BRTM-02 for Base Plate details, Anchor Plate details, Railing Splice details and Tube Size details.
4. See Standard Drawing E 601-TBGC-01 and E 601-TBGC-02 for Thrie-Beam components.
5. See Standard Drawing E 703-BRST-01 for standard 180° bar bending detail.
6. See Standard Drawing E 601-TTGT-01 AND E 601-TTGT-02 for Guardrail Transition, TGT.
7. All reinforcing bars designated "E" shall be epoxy coated.



**583E x 5'-0"**  
 (Typical for 8" deck only)  
 \*Adjust bar height for various deck thickness



**CURB AND POST DETAILS**

INDIANA DEPARTMENT OF TRANSPORTATION	
RAILING, CF-1	
SEPTEMBER 2011	
STANDARD DRAWING NO.	E 706-BRTM-01
	/s/ Richard L. VanCleave 09/01/11
	DESIGN STANDARDS ENGINEER DATE
	/s/ Mark A. Miller 09/01/11
	CHIEF HIGHWAY ENGINEER DATE
DESIGN STANDARDS ENGINEER	