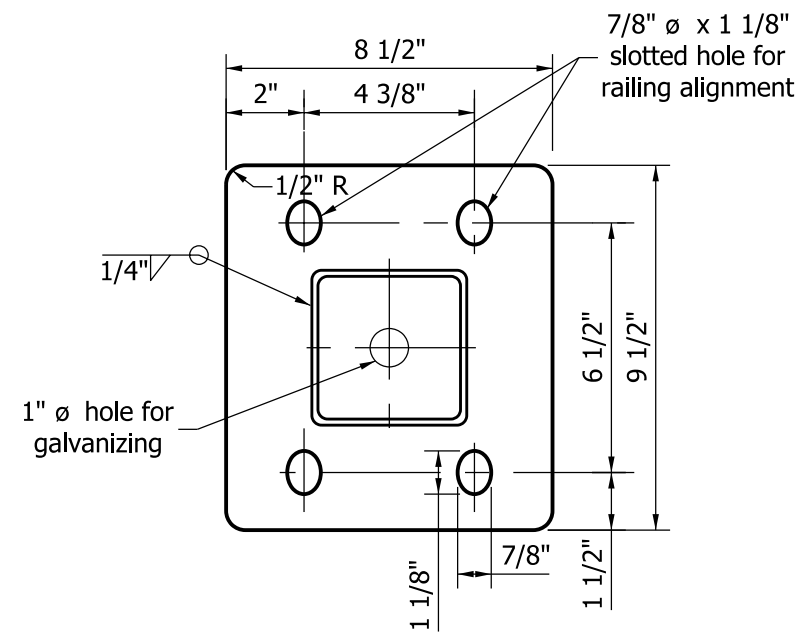
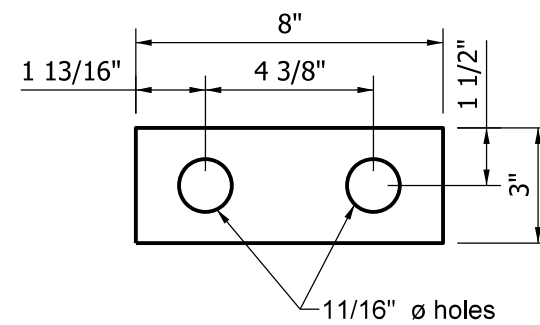


NOTES:

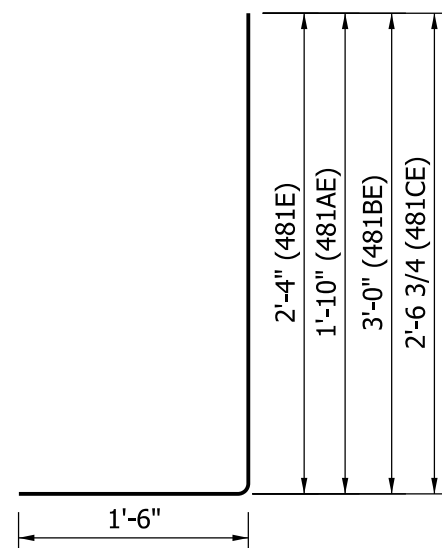
1. See Standard Drawing E 703-BRST-01 for standard 180° bar bending details.
2. All reinforcing bars designated "E" shall be epoxy coated.



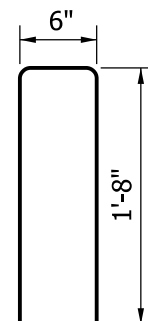
BASE PLATE DETAIL



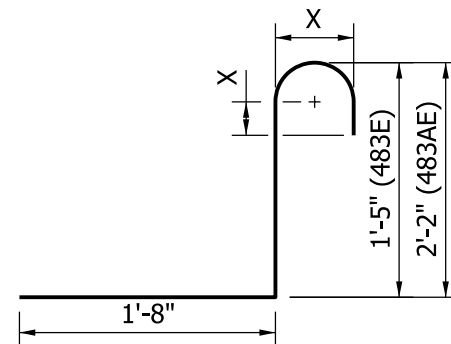
BEARING PLATE DETAIL



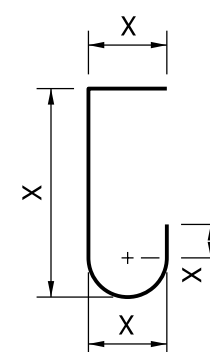
481E x 3'-10
481AE x 3'-4
481BE x 4'-6
481CE x 4'-0 3/4



482E x 3'-10"



483E x 3'-10"
483AE x 4'-8"



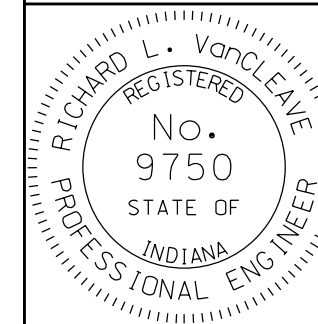
484E x 2'-8"

INDIANA DEPARTMENT OF TRANSPORTATION

RAILING, PF & PS
 DETAILS

SEPTEMBER 2011

STANDARD DRAWING NO. E 706-BRPP-06



DESIGN STANDARDS ENGINEER

/s/ Richard L. VanCleave 09/01/11
 DESIGN STANDARDS ENGINEER DATE

/s/ Richard K. Smuizer 09/01/11
 CHIEF HIGHWAY ENGINEER DATE