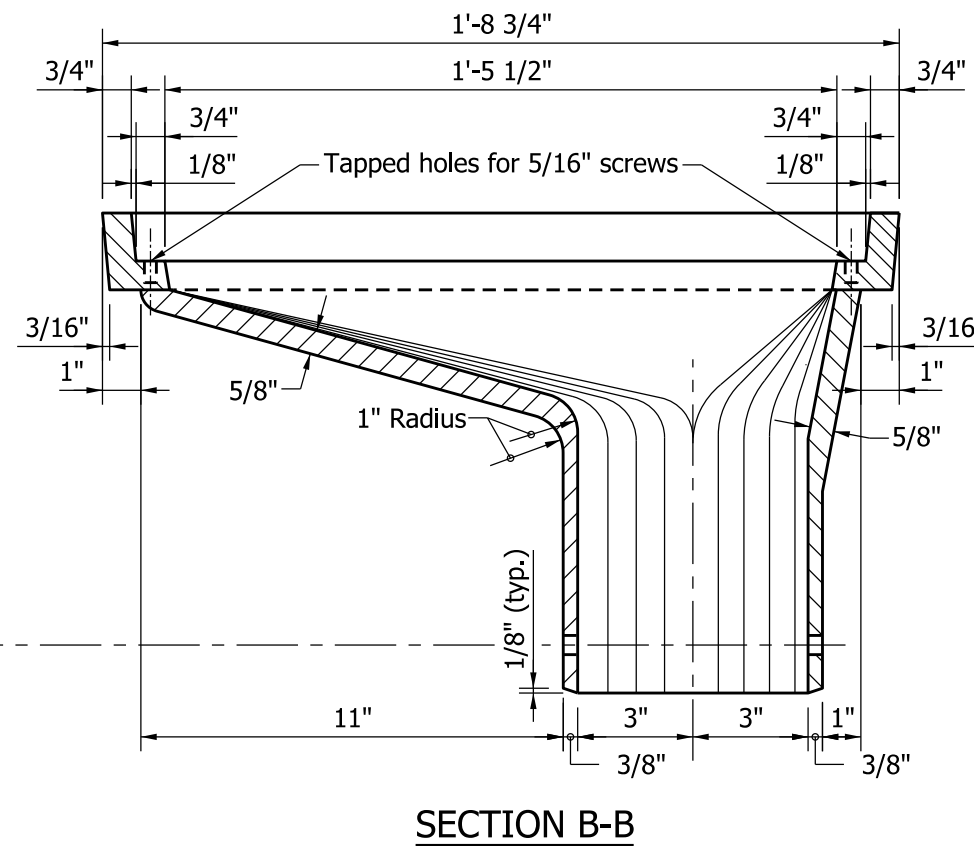
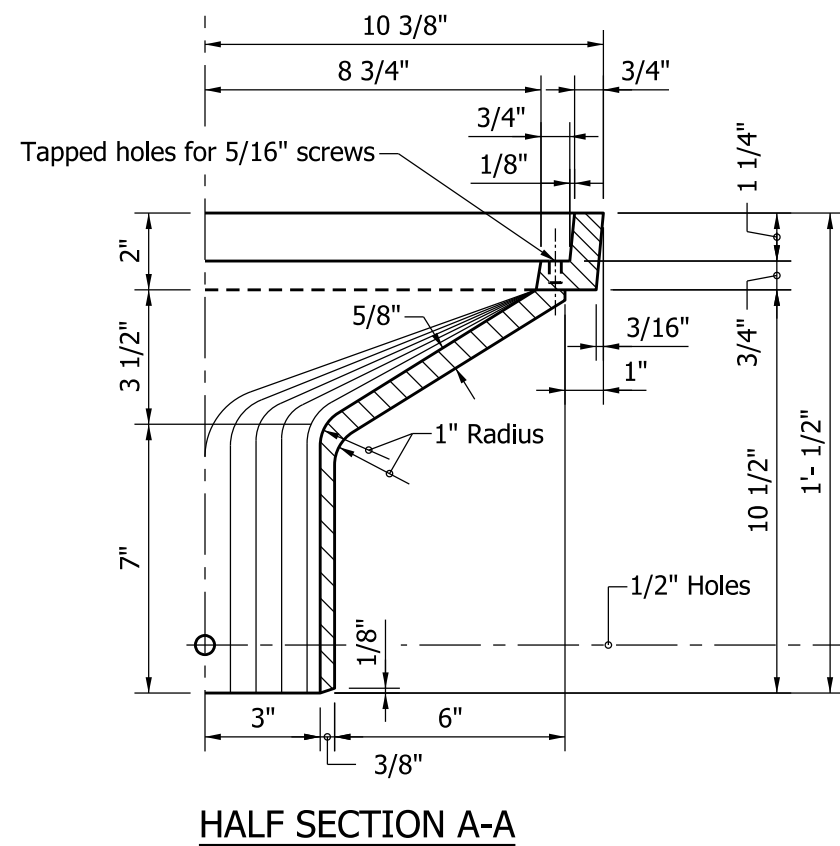
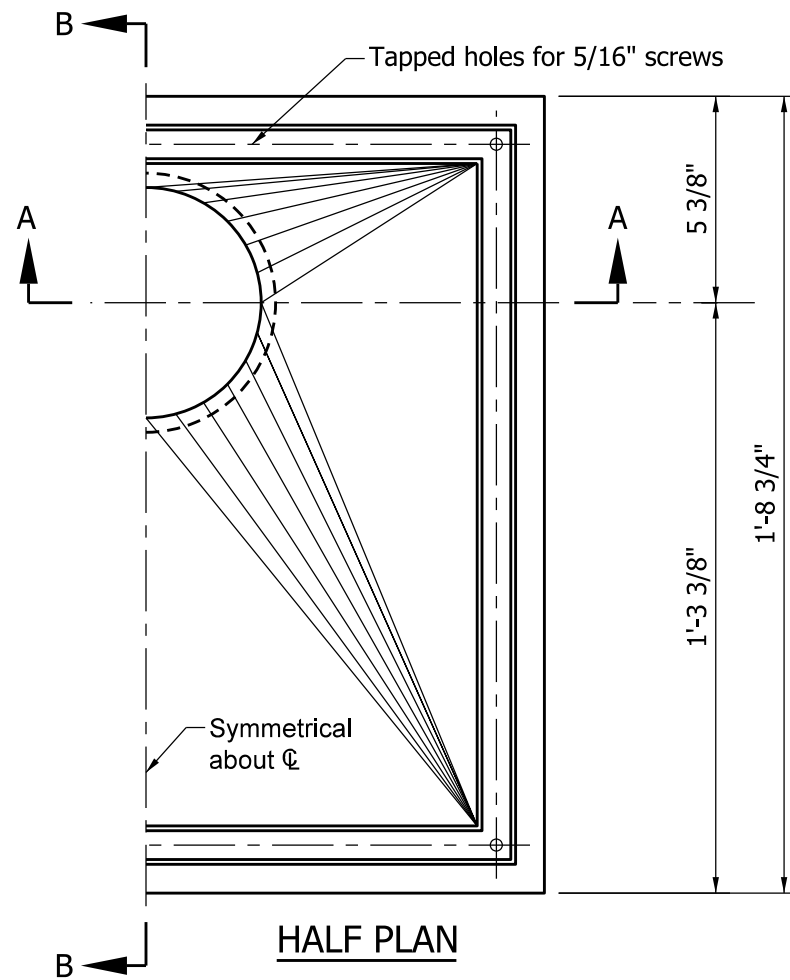


**NOTES:**

1. The approximate weight of the drain is 120 lb.
2. See Standard Drawing E 715-BDCG-01 for roadway drain casting extension pipe details.



INDIANA DEPARTMENT OF TRANSPORTATION		
CASTING DETAILS ROADWAY DRAIN TYPE SQ		
SEPTEMBER 2011		
STANDARD DRAWING NO.	E 704-BDCG-04	
	/s/ <i>Richard L. VanCleave</i>	09/01/11
	DESIGN STANDARDS ENGINEER	DATE
	/s/ <i>Mark A. Miller</i>	09/01/11
	CHIEF HIGHWAY ENGINEER	DATE
DESIGN STANDARDS ENGINEER		