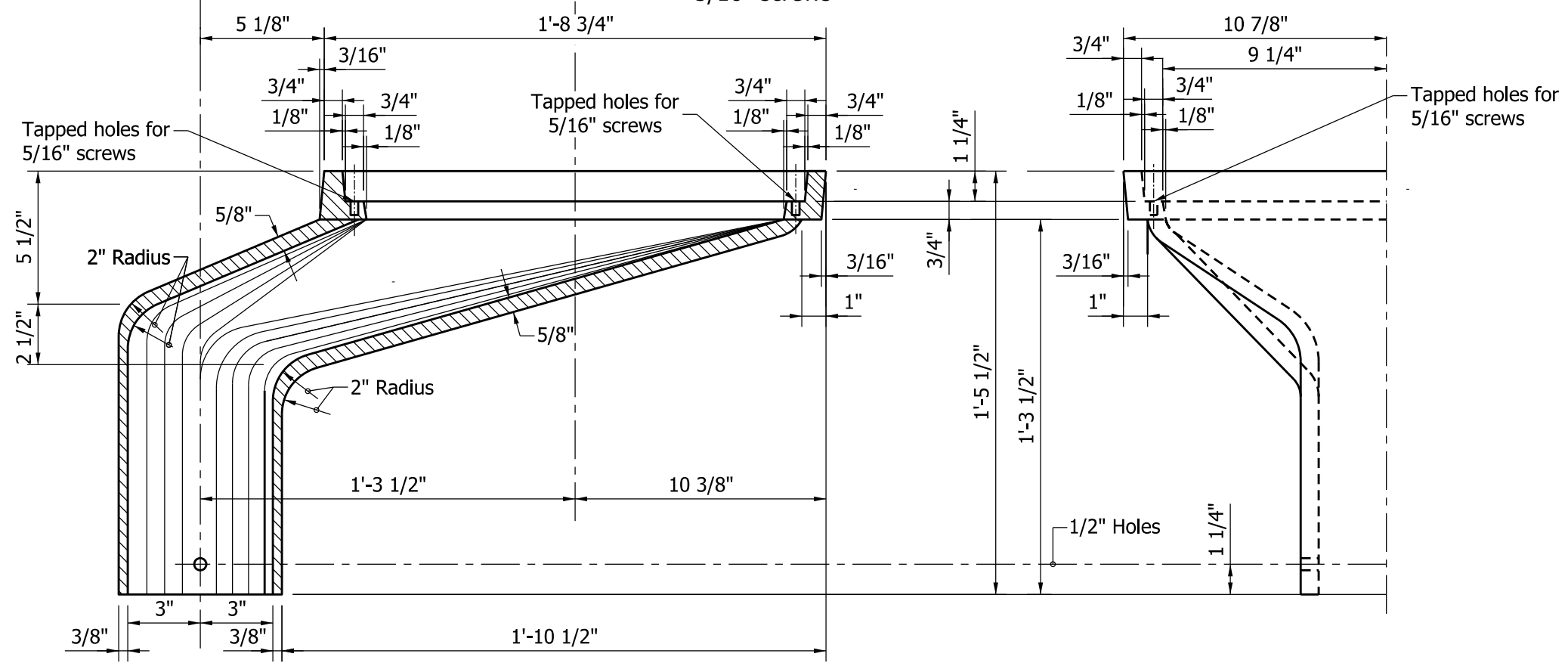


PLAN
Tapped holes for 5/16" screws

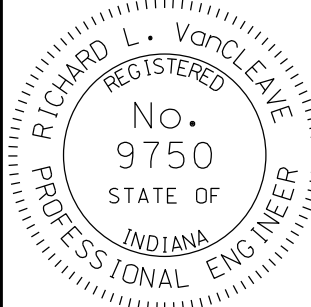


SECTION J-J

HALF SECTION K-K

NOTES:

1. The approximate weight of the drain is 242 lb.
2. See Standard Drawing E 715-BDCG-01 for roadway drain casting extension pipe details.

INDIANA DEPARTMENT OF TRANSPORTATION											
CASTING DETAILS ROADWAY DRAIN TYPE OS											
SEPTEMBER 2011											
STANDARD DRAWING NO.	E 704-BDCG-03										
	<table style="width: 100%; border-collapse: collapse;"> <tr> <td style="padding: 2px 5px;"><i>/s/ Richard L. VanCleave</i></td> <td style="padding: 2px 5px; text-align: right;">09/01/11</td> </tr> <tr> <td style="padding: 2px 5px;">DESIGN STANDARDS ENGINEER</td> <td style="padding: 2px 5px; text-align: right;">DATE</td> </tr> <tr> <td colspan="2" style="padding: 5px 0 2px 5px;"> </td> </tr> <tr> <td style="padding: 2px 5px;"><i>/s/ Mark A. Miller</i></td> <td style="padding: 2px 5px; text-align: right;">09/01/11</td> </tr> <tr> <td style="padding: 2px 5px;">CHIEF HIGHWAY ENGINEER</td> <td style="padding: 2px 5px; text-align: right;">DATE</td> </tr> </table>	<i>/s/ Richard L. VanCleave</i>	09/01/11	DESIGN STANDARDS ENGINEER	DATE			<i>/s/ Mark A. Miller</i>	09/01/11	CHIEF HIGHWAY ENGINEER	DATE
<i>/s/ Richard L. VanCleave</i>	09/01/11										
DESIGN STANDARDS ENGINEER	DATE										
<i>/s/ Mark A. Miller</i>	09/01/11										
CHIEF HIGHWAY ENGINEER	DATE										
DESIGN STANDARDS ENGINEER											