
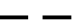
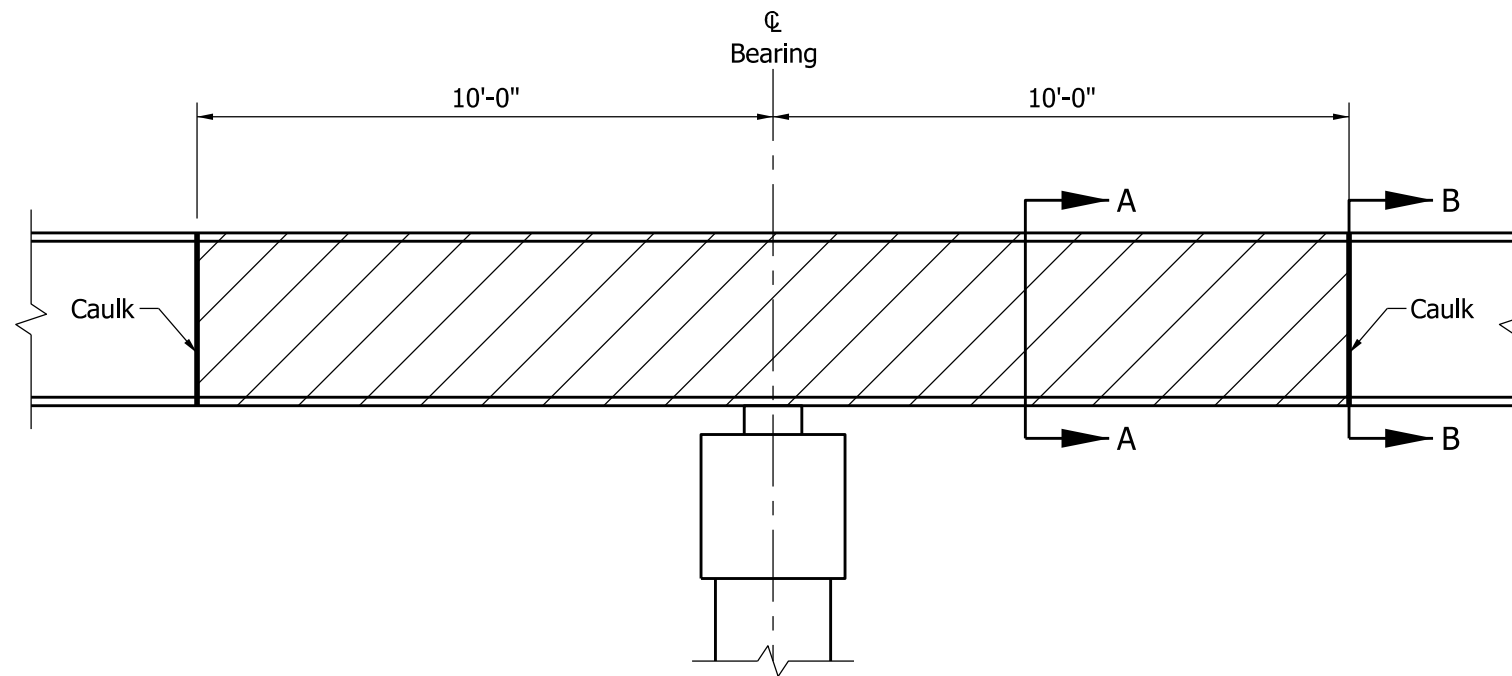


NOTE:

1. Caulk shall be placed on the painted surface at the painted/unpainted interface and is intended to function as a drip bead.

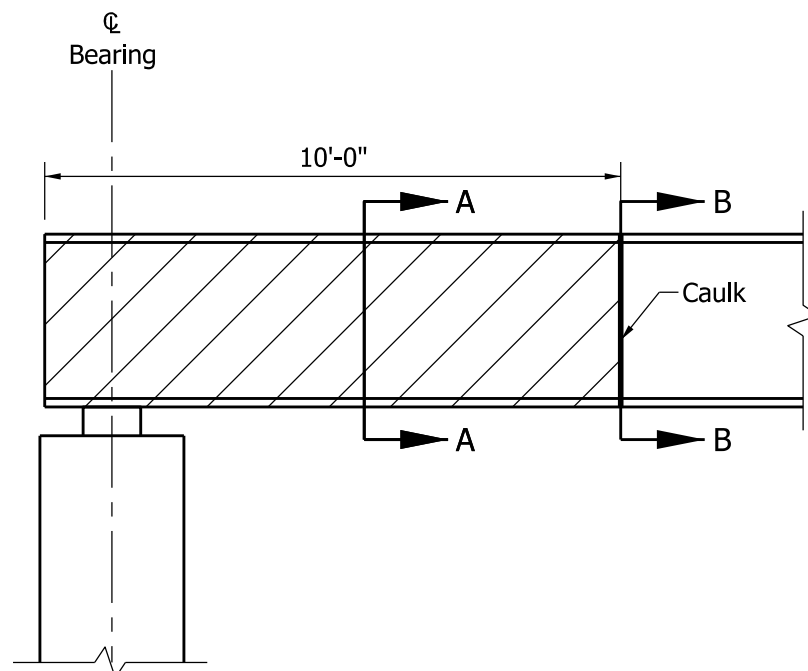
LEGEND:

-  = Area to be painted
-  = Caulk Bead



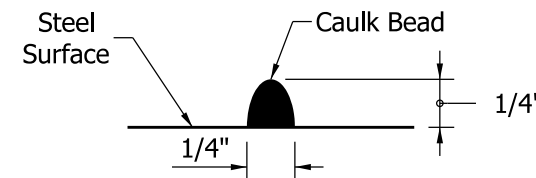
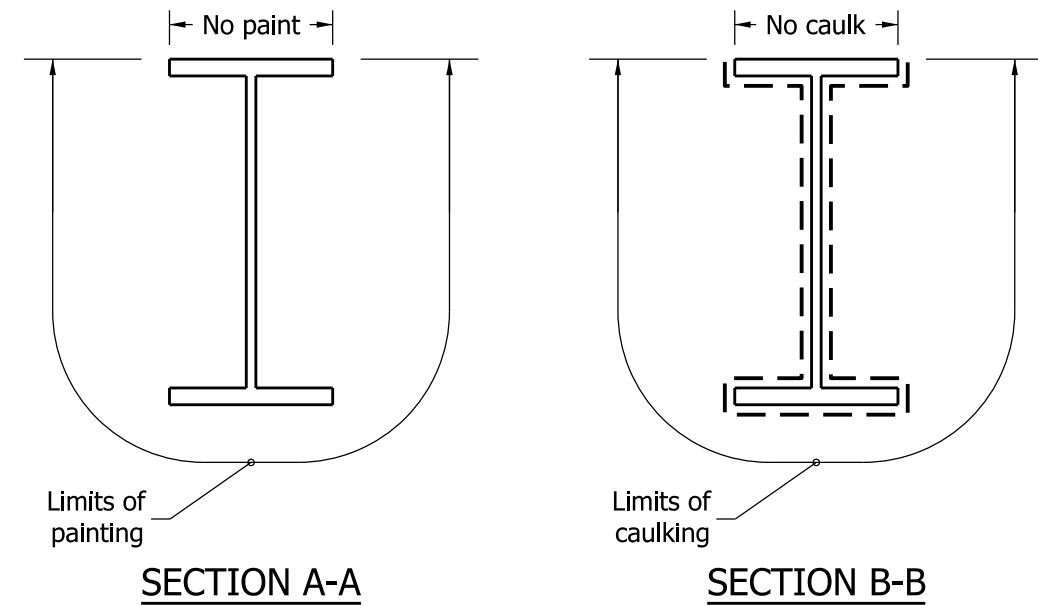
BEAM OR GIRDER AT INTERIOR SUPPORT

ELEVATION VIEW
(Bridge Deck not shown for clarity)

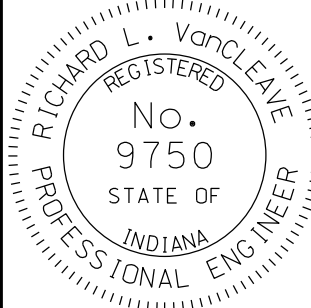


BEAM OR GIRDER AT END-BENT SUPPORT

ELEVATION VIEW
(Bridge Deck, Mudwall, and Concrete Encasement not shown for clarity)



CAULK BEAD DETAIL

INDIANA DEPARTMENT OF TRANSPORTATION	
PAINTING REQUIREMENTS FOR WEATHERING STEEL	
SEPTEMBER 2011	
STANDARD DRAWING NO.	E 619-PRWS-01
	<i>/s/ Richard L. VanCleave</i> 09/01/11
	DESIGN STANDARDS ENGINEER DATE
	<i>/s/ Mark A. Miller</i> 09/01/11
	CHIEF HIGHWAY ENGINEER DATE
DESIGN STANDARDS ENGINEER	