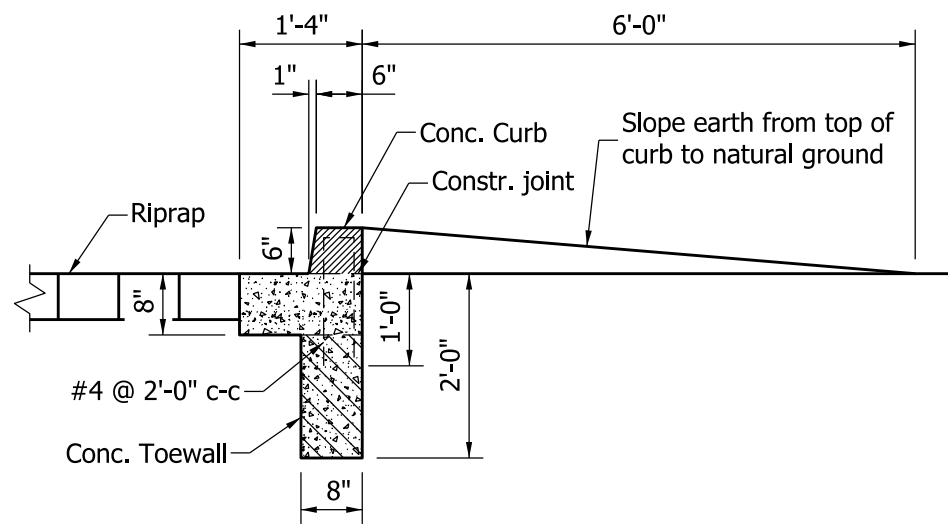
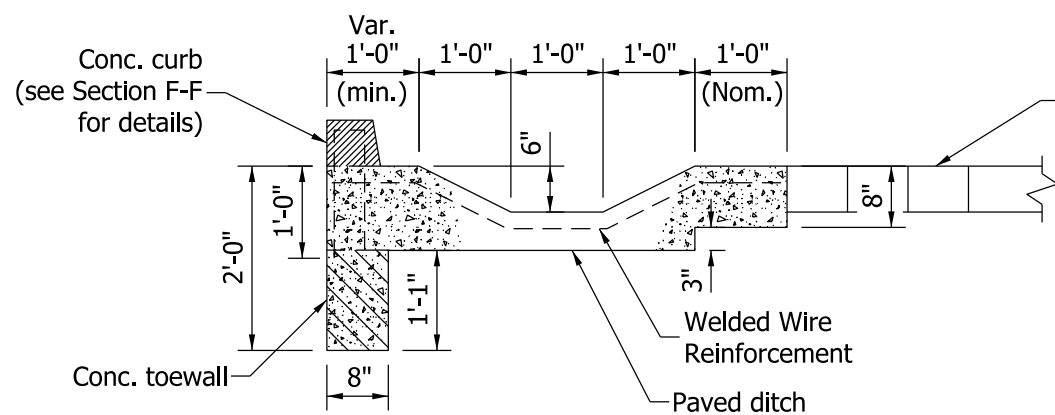


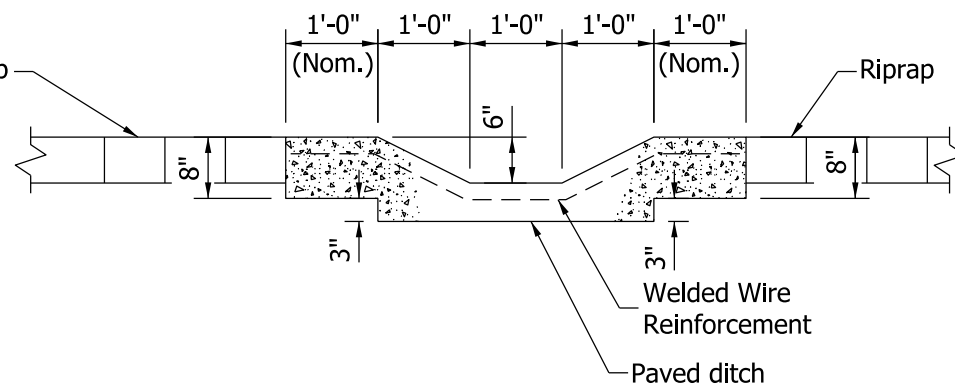
SECTION D-D



SECTION F-F



SECTION E-E
Where riprap terminates
2'-0" outside of coping line



SECTION E-E
Where riprap terminates more
than 2'-0" outside of coping line

INDIANA DEPARTMENT OF TRANSPORTATION	
RIPRAP SLOPEWALL DETAILS	
SEPTEMBER 2011	
STANDARD DRAWING NO.	E 616-SWRR-01
	/s/ Richard L. VanCleave 09/01/11 DESIGN STANDARDS ENGINEER DATE
	/s/ Mark A. Miller 09/01/11 CHIEF HIGHWAY ENGINEER DATE
DESIGN STANDARDS ENGINEER	