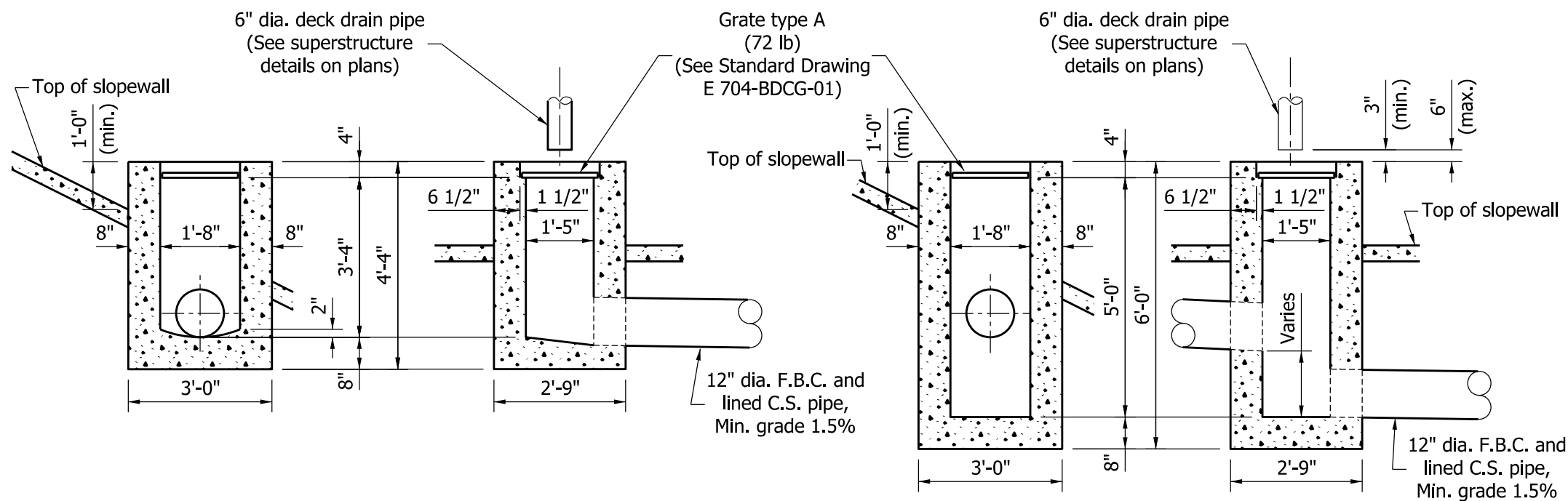


SECTION A-A
TYPICAL ELEVATION THRU SLOPEWALL

SECTION F-F



SECTION B-B
DETAIL OF CONCRETE INLET TYPE U

SECTION C-C

SECTION D-D
DETAIL OF CONCRETE INLET TYPE W

SECTION E-E

INDIANA DEPARTMENT OF TRANSPORTATION	
SLOPEWALL AND DRAINAGE DETAILS	
SEPTEMBER 2011	
STANDARD DRAWING NO.	E 616-SWCO-06
	/s/ <i>Richard L. VanCleave</i> 09/01/11
	DESIGN STANDARDS ENGINEER DATE
DESIGN STANDARDS ENGINEER	/s/ <i>Mark A. Miller</i> 09/01/11
	CHIEF HIGHWAY ENGINEER DATE