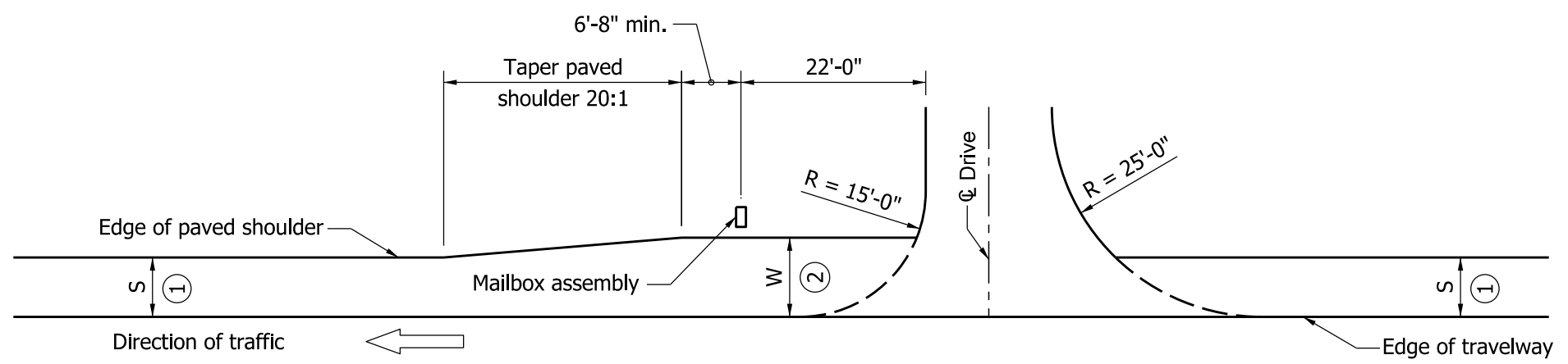
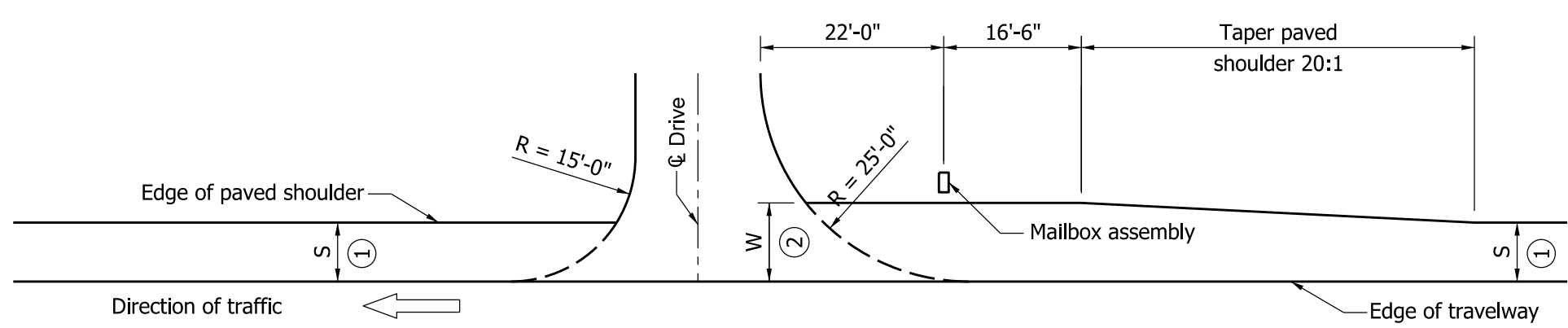


**COMBINATION MAILBOX APPROACH & DRIVE**  
(Mailbox located beyond drive)



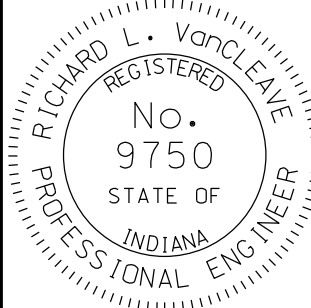
**TYPICAL MAILBOX APPROACH**



**COMBINATION MAILBOX APPROACH & DRIVE**  
(Mailbox located in advance of drive)

**NOTES:**

- ① S = Normal width of paved shoulder as shown on plans.
- ② See plans for W
- 3. Mailbox approach pavement section shall be the same as the shoulder material.

<b>INDIANA DEPARTMENT OF TRANSPORTATION</b>	
<b>MAILBOX APPROACHES HIGH SPEED ROADWAY</b>	
<b>SEPTEMBER 2011</b>	
<b>STANDARD DRAWING NO. E 610-MBAP-01</b>	
	<i>/s/ Richard L. VanCleave</i> 09/01/11 <small>DESIGN STANDARDS ENGINEER      DATE</small>
<small>DESIGN STANDARDS ENGINEER</small>	<i>Mark A. Miller</i> 09/01/11 <small>CHIEF HIGHWAY ENGINEER      DATE</small>