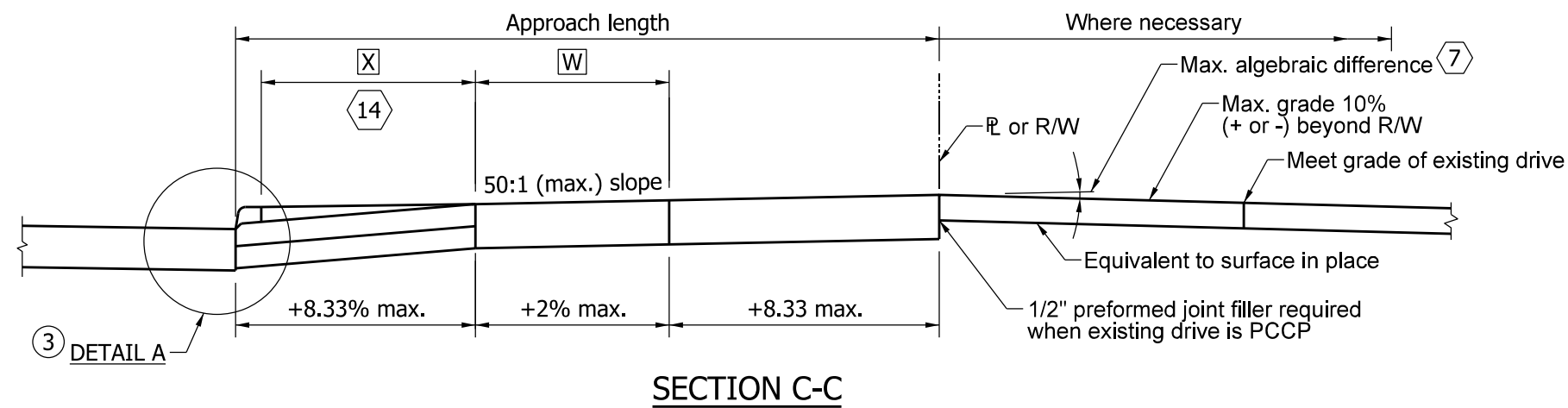
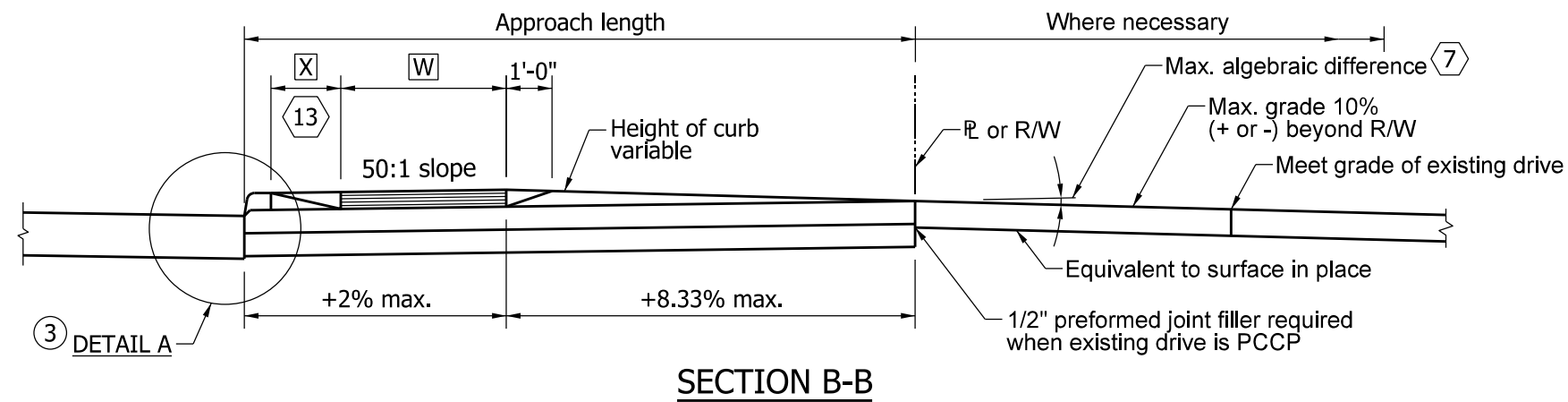
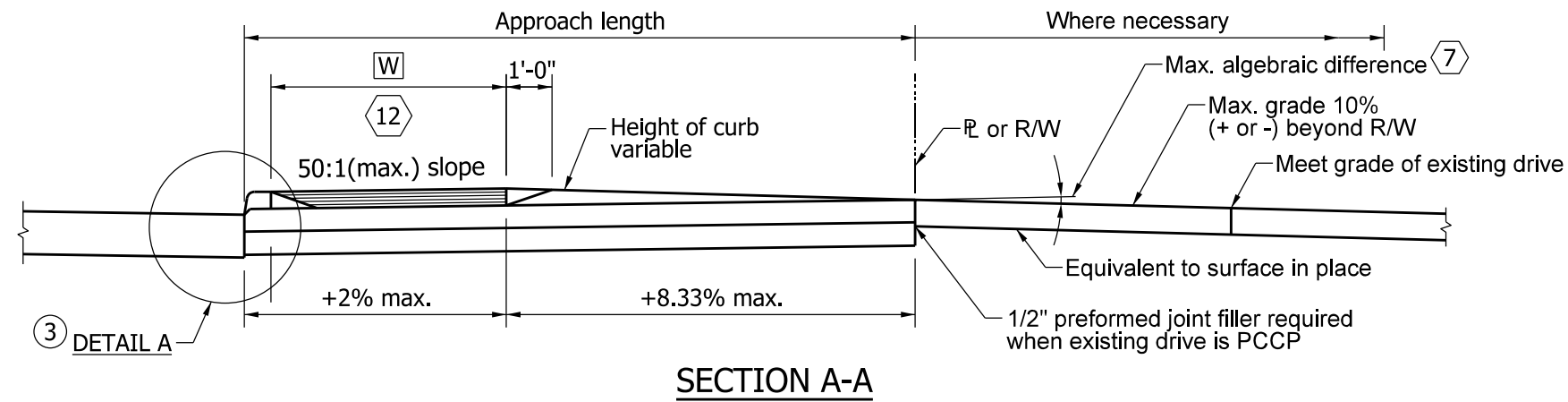


**NOTES**

1. See Standard Drawing E 610-DRIV-07 for plan of Class VII Drive.
2. See Standard Drawings E 610-DRIV-13 for General Notes.
- ③ See Standard Drawing E 610-DRIV-16 for keyway joint shown in Detail A and for joint placement and corner reinforcement.



<b>INDIANA DEPARTMENT OF TRANSPORTATION</b>									
<b>CLASS VII DRIVE PROFILE GRADE</b>									
<b>SEPTEMBER 2010</b>									
<b>STANDARD DRAWING NO.</b>	<b>E 610-DRIV-12</b>								
	<table style="width: 100%; border-collapse: collapse;"> <tr> <td style="text-align: center;"><i>/s/ Richard L. VanCleave</i></td> <td style="text-align: center;"><i>09/01/10</i></td> </tr> <tr> <td style="text-align: center;">DESIGN STANDARDS ENGINEER</td> <td style="text-align: center;">DATE</td> </tr> <tr> <td style="text-align: center;"><i>/s/ Mark A. Miller</i></td> <td style="text-align: center;"><i>09/01/10</i></td> </tr> <tr> <td style="text-align: center;">CHIEF HIGHWAY ENGINEER</td> <td style="text-align: center;">DATE</td> </tr> </table>	<i>/s/ Richard L. VanCleave</i>	<i>09/01/10</i>	DESIGN STANDARDS ENGINEER	DATE	<i>/s/ Mark A. Miller</i>	<i>09/01/10</i>	CHIEF HIGHWAY ENGINEER	DATE
<i>/s/ Richard L. VanCleave</i>	<i>09/01/10</i>								
DESIGN STANDARDS ENGINEER	DATE								
<i>/s/ Mark A. Miller</i>	<i>09/01/10</i>								
CHIEF HIGHWAY ENGINEER	DATE								
DESIGN STANDARDS ENGINEER									