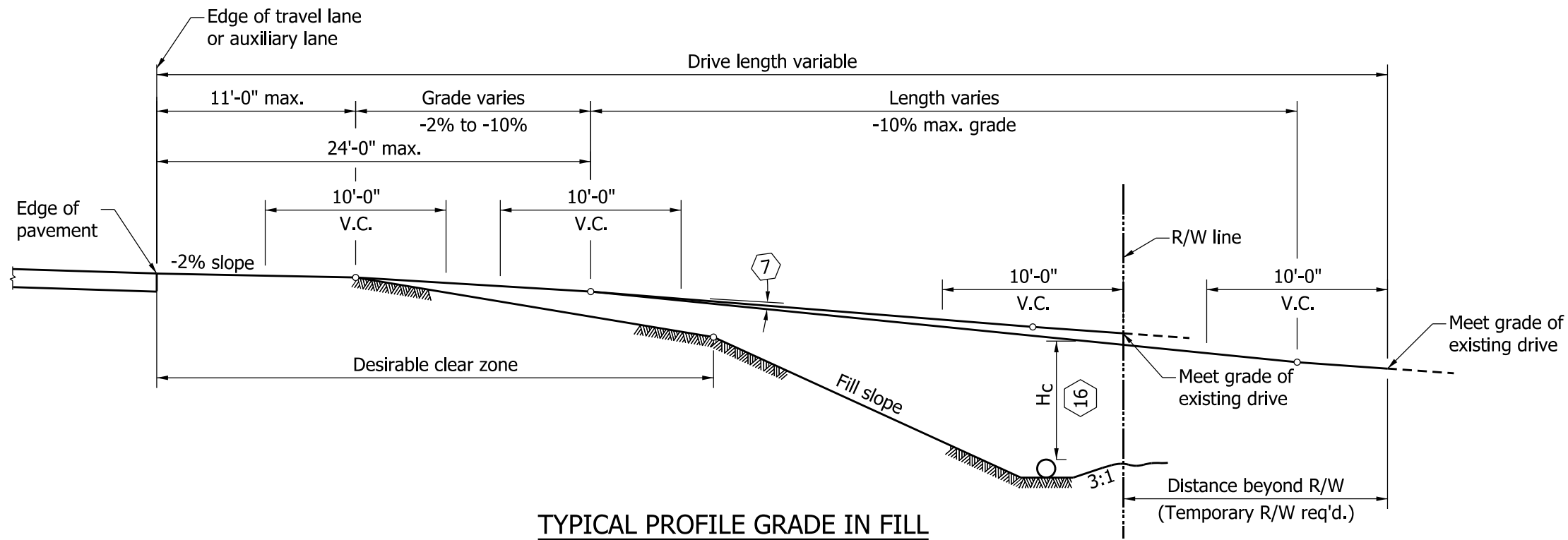
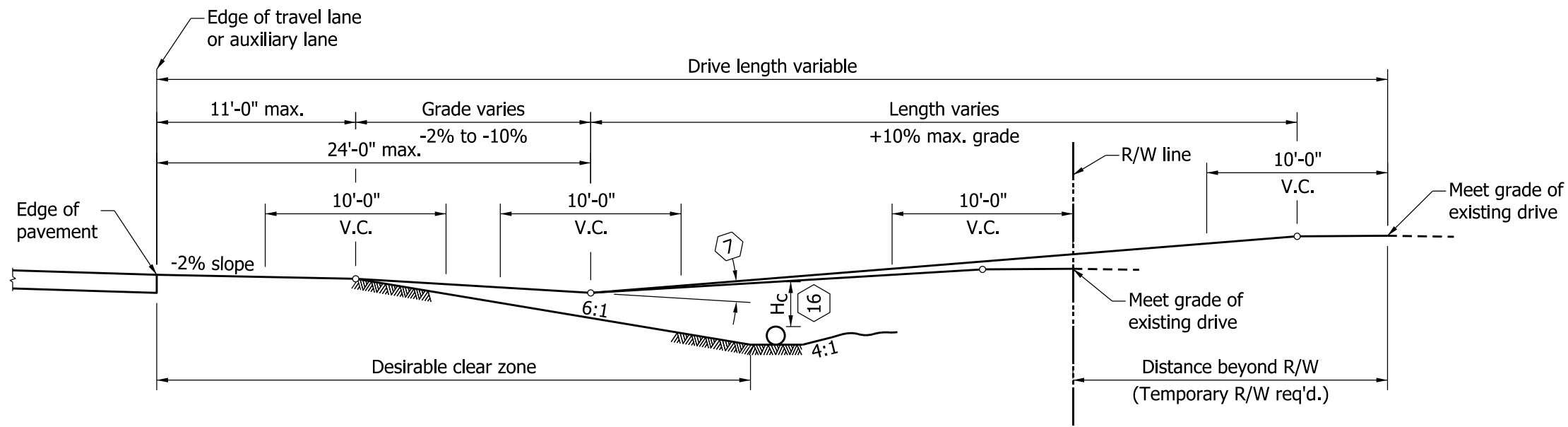


NOTES

1. See Standard Drawing E 610-DRIV-06 for plan and sections of Class VI Drive.
2. See Standard Drawings E 610-DRIV-13 for General Notes.



TYPICAL PROFILE GRADE IN FILL



TYPICAL PROFILE GRADE IN CUT

INDIANA DEPARTMENT OF TRANSPORTATION	
CLASS VI DRIVE TYPICAL PROFILE GRADES	
SEPTEMBER 2010	
STANDARD DRAWING NO.	E 610-DRIV-11
	<i>/s/ Richard L. VanCleave</i> 09/01/10
	DESIGN STANDARDS ENGINEER DATE
	<i>/s/ Mark A. Miller</i> 09/01/10
DESIGN STANDARDS ENGINEER	CHIEF HIGHWAY ENGINEER DATE