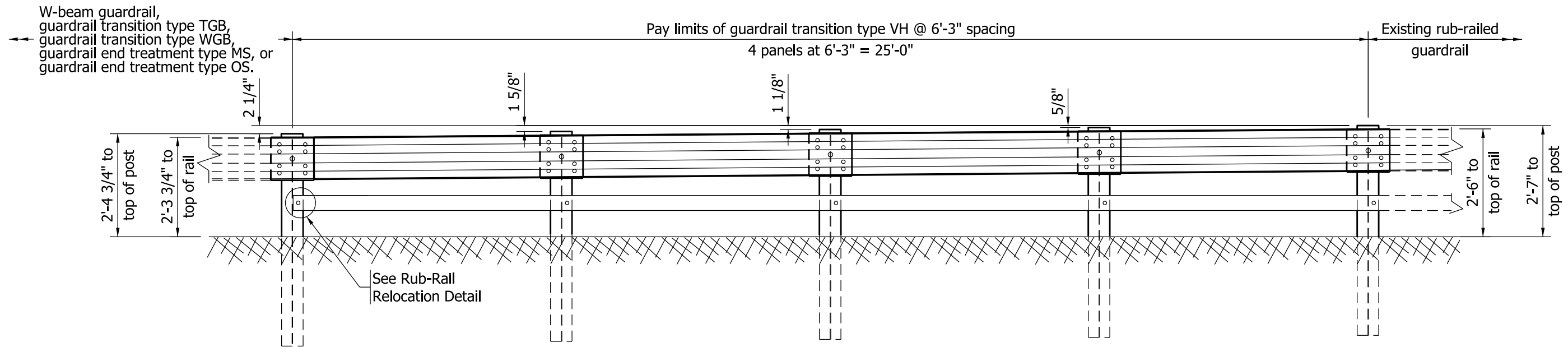


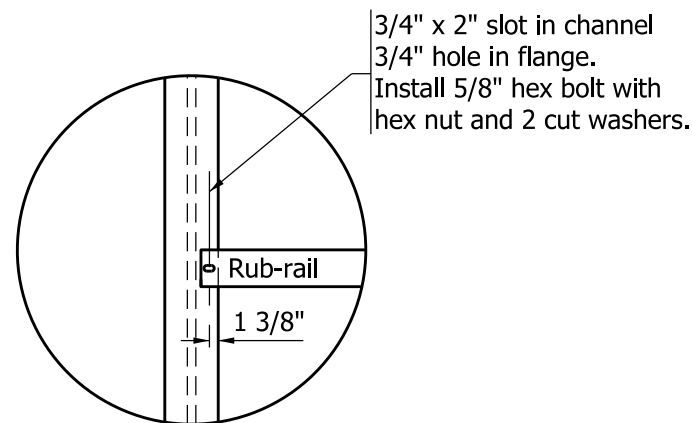
NOTES:

1. If rub-rail is not spliced at post, the channel shall be cut and repositioned behind the flange.
2. If rub-rail is spliced at post, the splice material shall be removed and the channel shall be repositioned behind the flange.



ELEVATION

GUARDRAIL TRANSITION TYPE VH AT 6'-3" POST SPACING



RUB-RAIL RELOCATION DETAIL

INDIANA DEPARTMENT OF TRANSPORTATION	
GUARDRAIL TRANSITION TYPE VH	
SEPTEMBER 2011	
STANDARD DRAWING NO.	E 601-TTVH-01
	/s/ <i>Richard L. VanCleave</i> 09/01/11 DESIGN STANDARDS ENGINEER DATE
	/s/ <i>Mark A. Miller</i> 09/01/11 CHIEF HIGHWAY ENGINEER DATE
DESIGN STANDARDS ENGINEER	