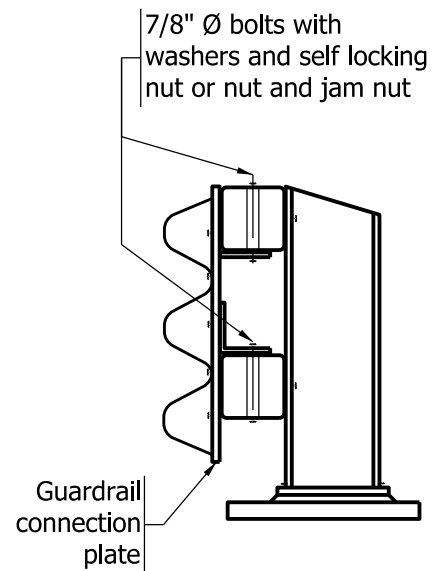
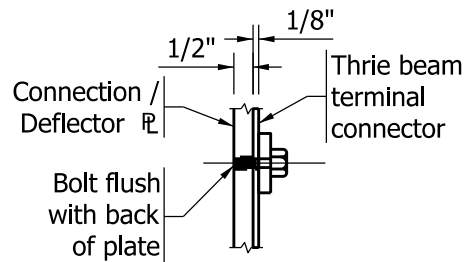


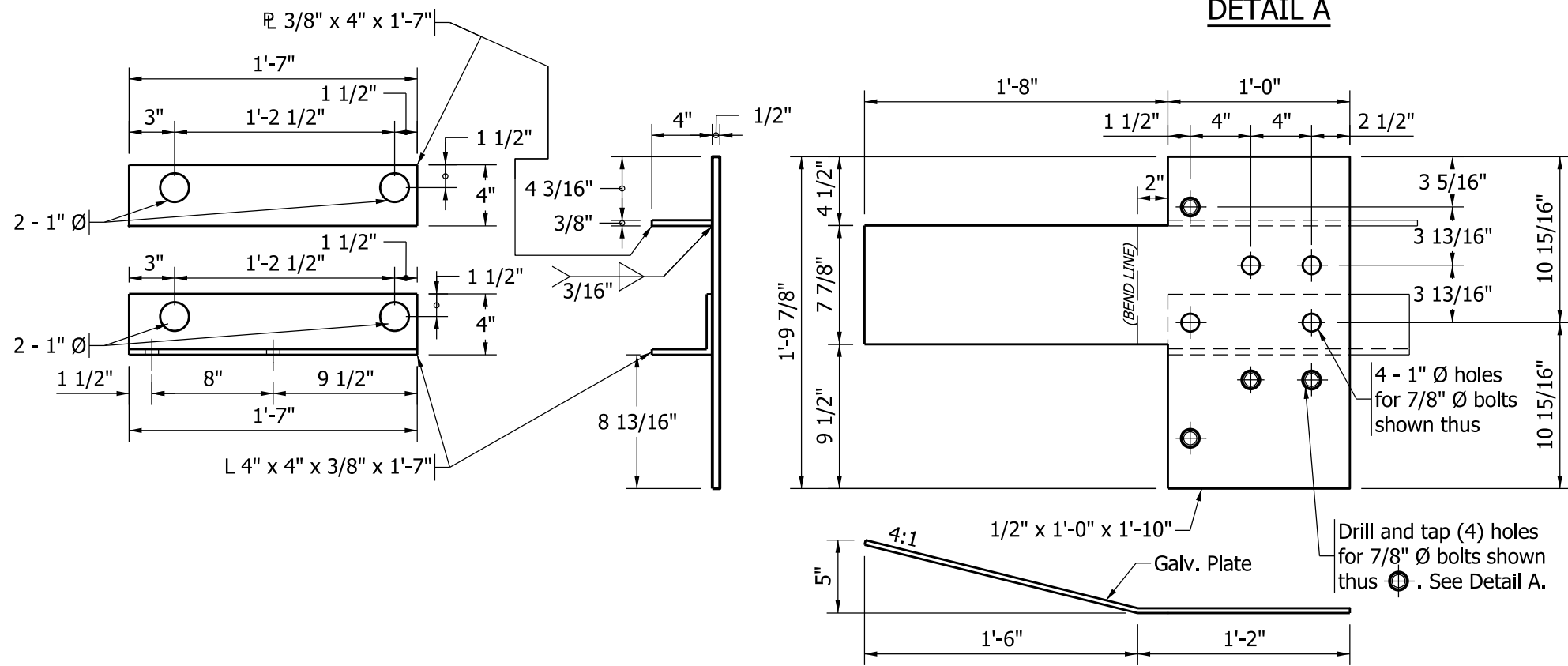
ELEVATION - TRANSITION CONNECTION



SECTION C-C



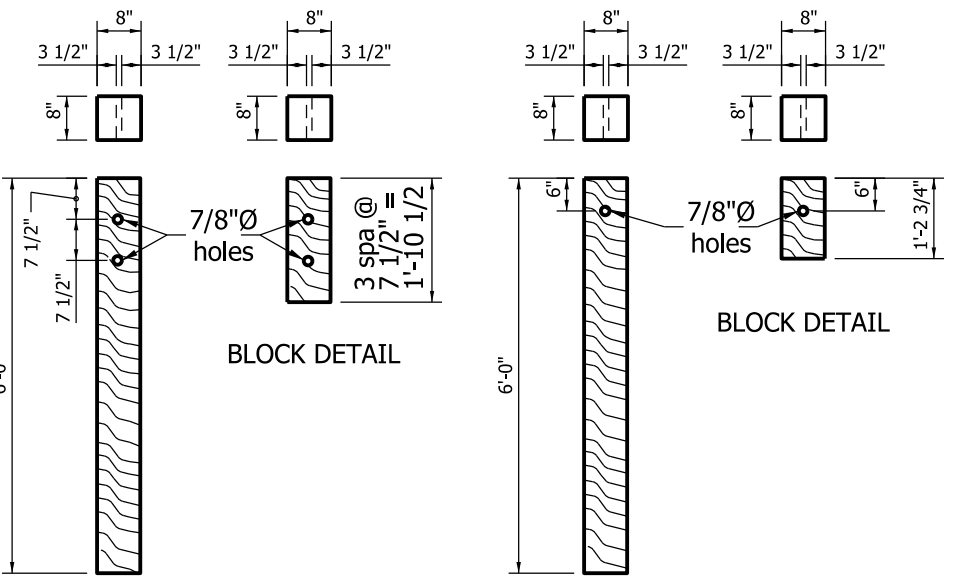
DETAIL A



GUARDRAIL CONNECTION / DEFLECTOR PLATE DETAILS

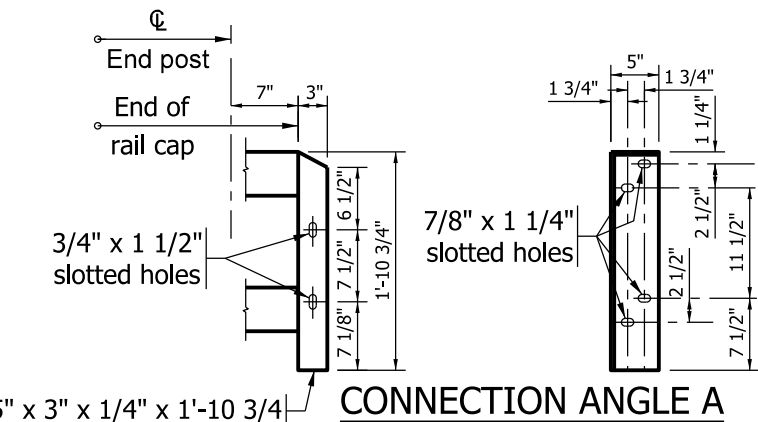
NOTE:

1. See Standard Drawing E 706-BRTM-02 for railing tubing cap details.



TIMBER POST DETAIL FOR THRIE-BEAM GUARDRAIL CONNECTION

TIMBER POST DETAIL FOR W-BEAM GUARDRAIL CONNECTION



CONNECTION ANGLE A

INDIANA DEPARTMENT OF TRANSPORTATION	
GUARDRAIL TRANSITION, TGT	
SEPTEMBER 2011	
STANDARD DRAWING NO.	E 601-TTGT-02
	/s/ <i>Richard L. VanCleave</i> 09/01/11
	DESIGN STANDARDS ENGINEER DATE
	/s/ <i>Mark A. Miller</i> 09/01/11
	CHIEF HIGHWAY ENGINEER DATE
DESIGN STANDARDS ENGINEER	