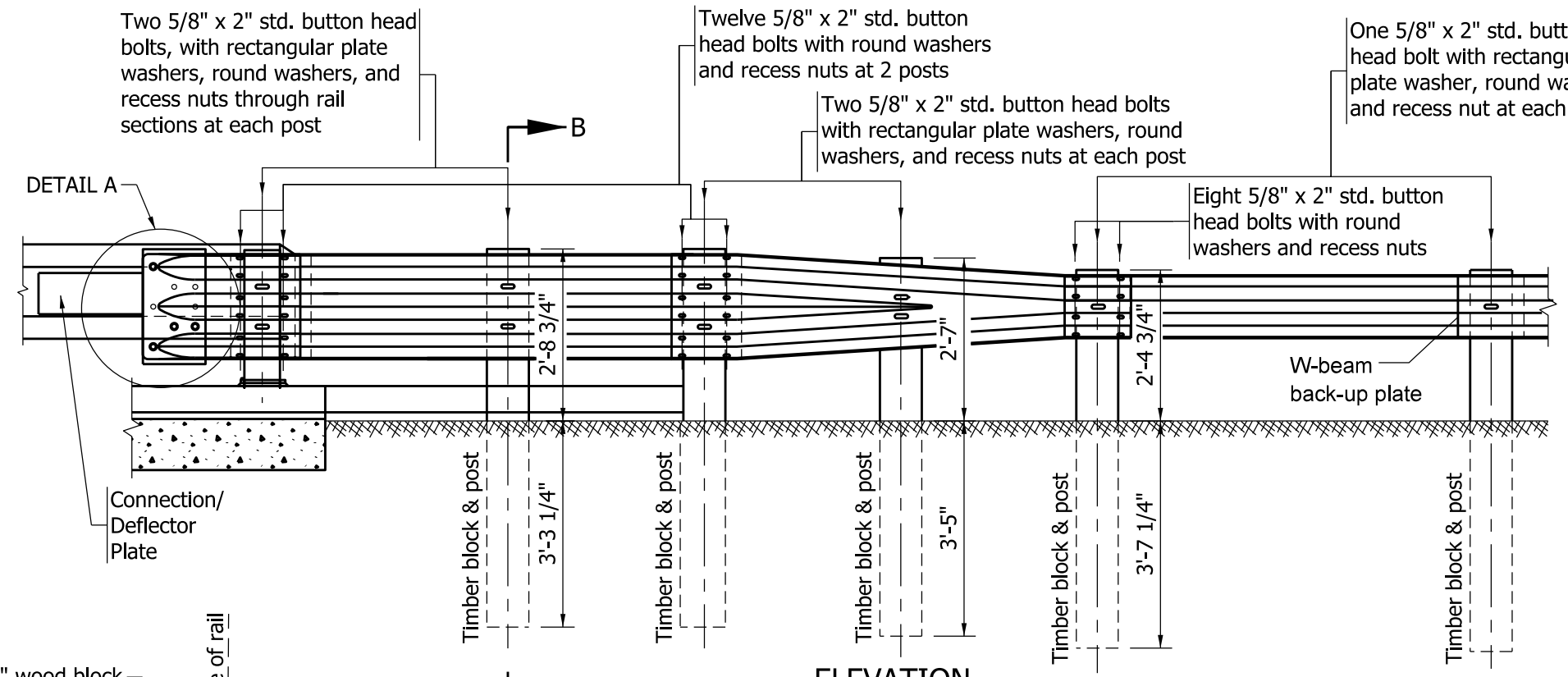
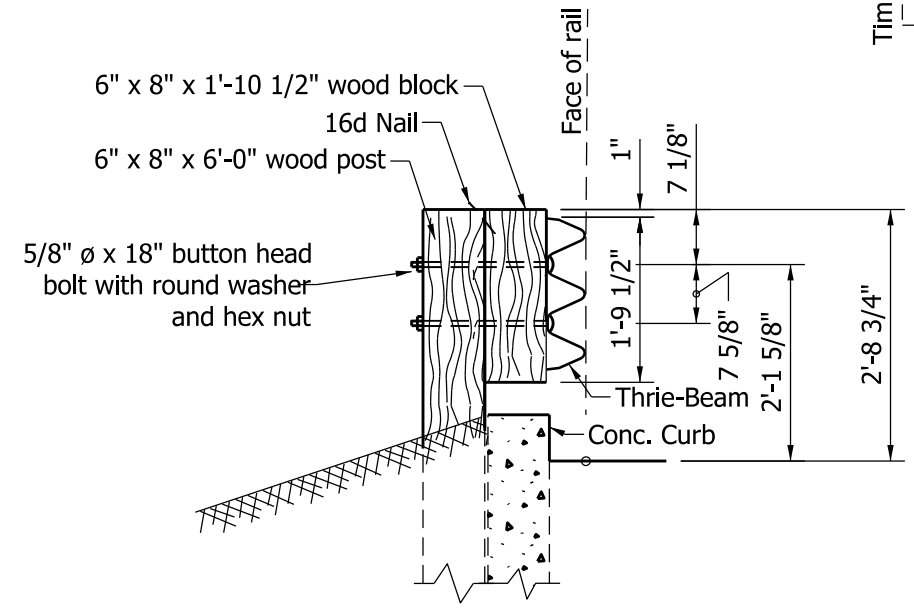


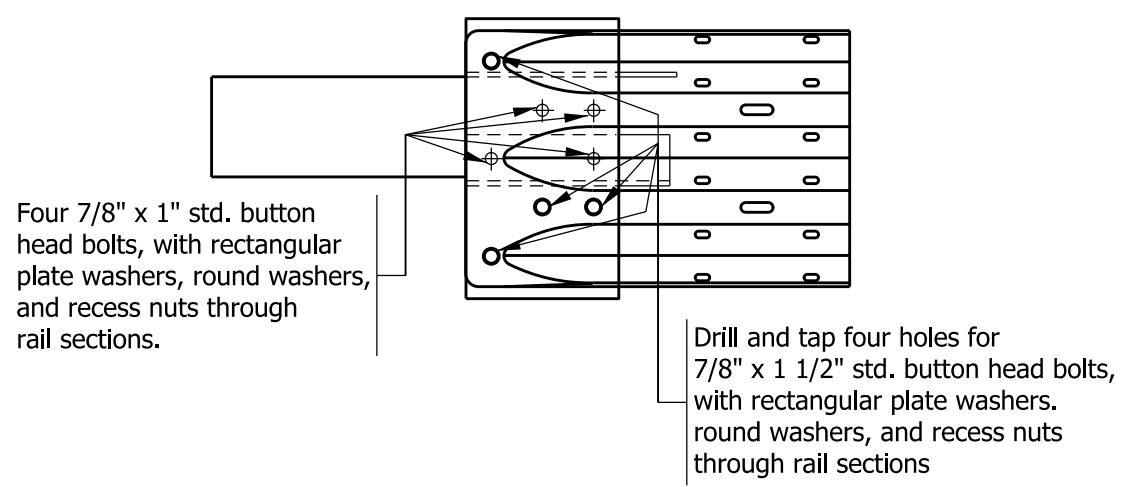
PLAN



ELEVATION



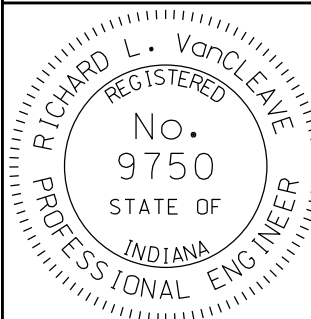
SECTION B-B



DETAIL A

NOTES:

1. See Standard Drawing E 601-TBGC-01 and E 601-TBGC-02 for thrie-beam transition details.
2. See Standard Drawing E 601-TTGT-02 for transition connection detail, timber post detail and timber block detail.

INDIANA DEPARTMENT OF TRANSPORTATION	
GUARDRAIL TRANSITION, TGT	
SEPTEMBER 2011	
STANDARD DRAWING NO.	E 601-TTGT-01
	/s/ <i>Richard L. VanCleave</i> 09/01/11 DESIGN STANDARDS ENGINEER DATE
DESIGN STANDARDS ENGINEER	/s/ <i>Mark A. Miller</i> 09/01/11 CHIEF HIGHWAY ENGINEER DATE