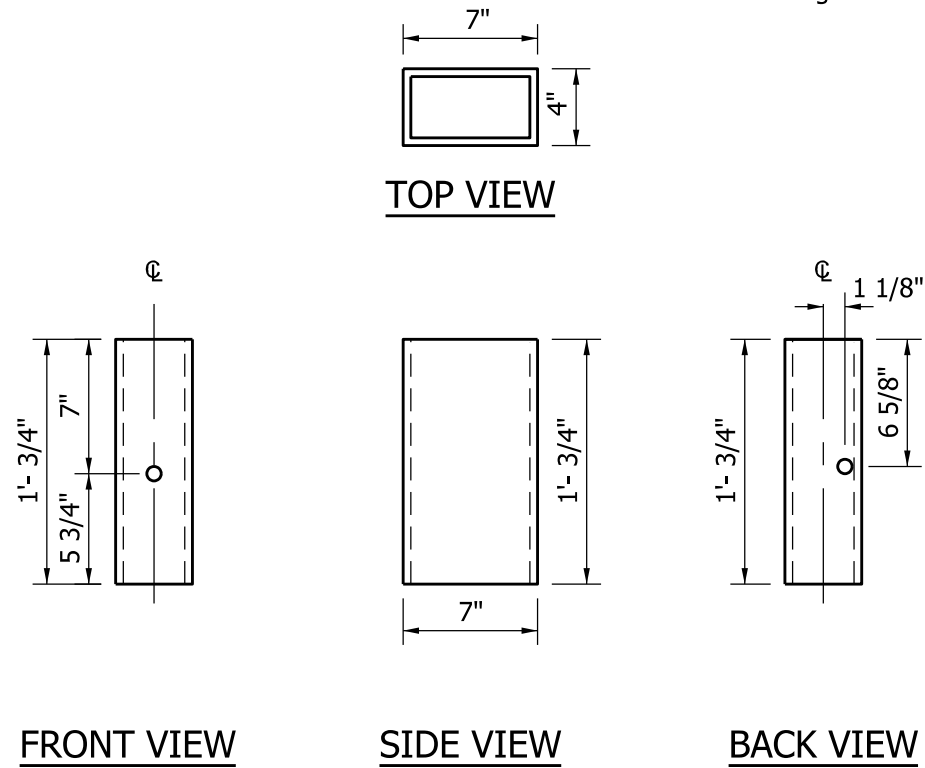


FRONT VIEW

SIDE VIEW

W 6 x 9 POST DETAILS



FRONT VIEW

SIDE VIEW

BACK VIEW

TS 7 x 4 x 3/16" BLOCK DETAILS
POSTS 9 and 10

NOTES:

1. All holes drilled or punched to 3/4" dia.
2. See Standard Drawing E 601-TTGB-01 for post numbers.
- ③ Hole pattern for posts numbers 1 through 7 may be drilled in back flange. See Standard drawing E 601-TTGB-03.

INDIANA DEPARTMENT OF TRANSPORTATION									
GUARDRAIL TRANSITION TYPE TGB									
SEPTEMBER 2011									
STANDARD DRAWING NO. E 601-TTGB-05									
	<table style="width: 100%; border-collapse: collapse;"> <tr> <td style="width: 60%;"><i>/s/ Richard L. VanCleave</i></td> <td style="width: 40%; text-align: right;">09/01/11</td> </tr> <tr> <td>DESIGN STANDARDS ENGINEER</td> <td style="text-align: right;">DATE</td> </tr> <tr> <td><i>/s/ Mark A. Miller</i></td> <td style="text-align: right;">09/01/11</td> </tr> <tr> <td>CHIEF HIGHWAY ENGINEER</td> <td style="text-align: right;">DATE</td> </tr> </table>	<i>/s/ Richard L. VanCleave</i>	09/01/11	DESIGN STANDARDS ENGINEER	DATE	<i>/s/ Mark A. Miller</i>	09/01/11	CHIEF HIGHWAY ENGINEER	DATE
<i>/s/ Richard L. VanCleave</i>	09/01/11								
DESIGN STANDARDS ENGINEER	DATE								
<i>/s/ Mark A. Miller</i>	09/01/11								
CHIEF HIGHWAY ENGINEER	DATE								
DESIGN STANDARDS ENGINEER									