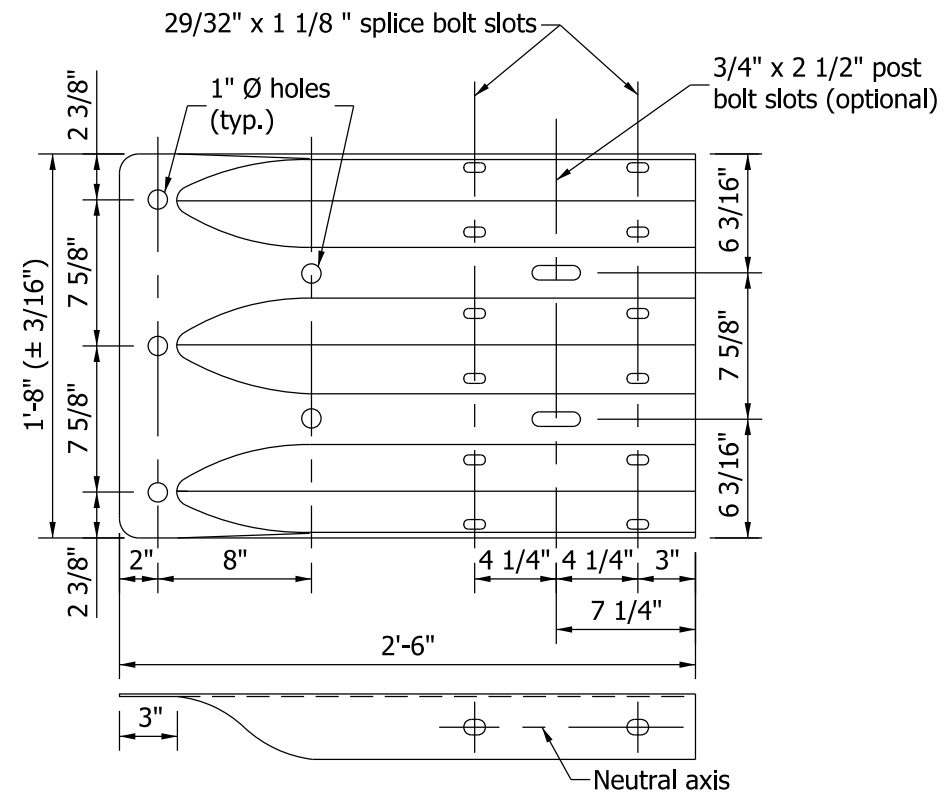
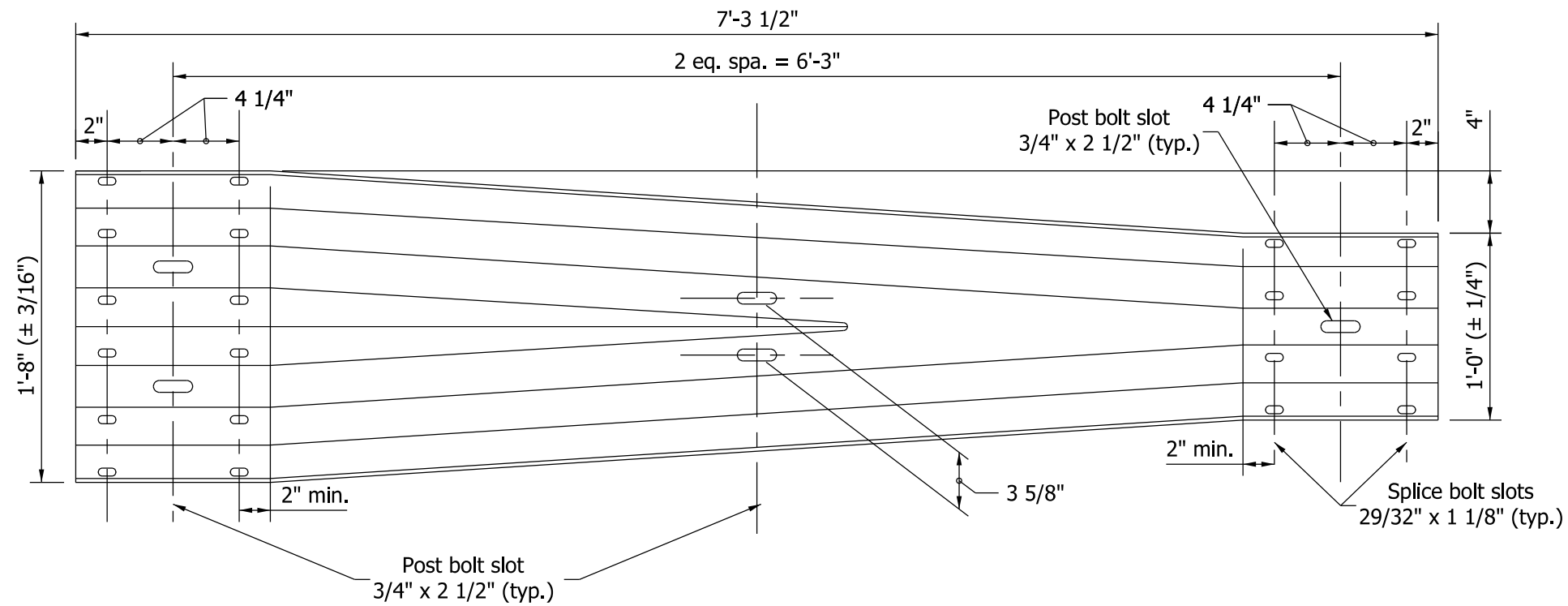


THRIE BEAM RAIL SECTION



**THRIE BEAM
TERMINAL CONNECTOR**



W-THRIE BEAM TRANSITION SECTION

INDIANA DEPARTMENT OF TRANSPORTATION	
THRIE-BEAM GUARDRAIL COMPONENTS	
SEPTEMBER 2011	
STANDARD DRAWING NO.	E 601-TBGC-01
	/s/ <i>Richard L. VanCleave</i> 09/01/11
	DESIGN STANDARDS ENGINEER DATE
	/s/ <i>Mark A. Miller</i> 09/01/11
DESIGN STANDARDS ENGINEER	CHIEF HIGHWAY ENGINEER DATE