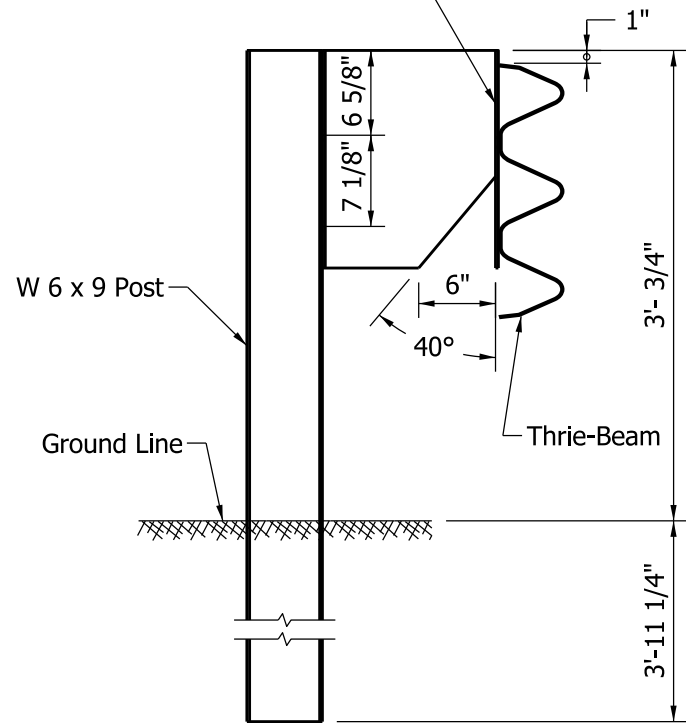
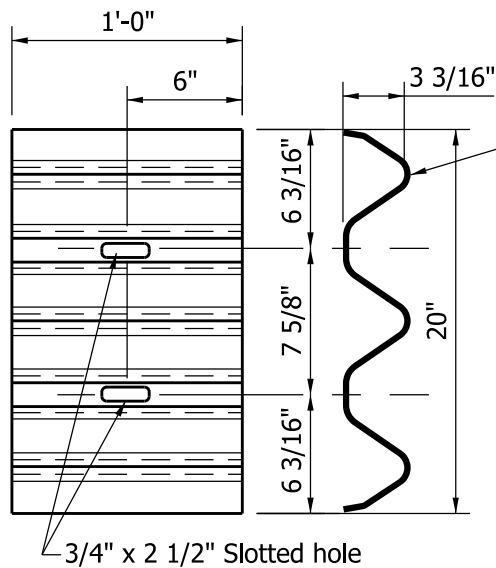


Thrie-Beam Backup Plate (At post where Thrie-Beam splice does not occur)



THRIE BEAM GUARDRAIL

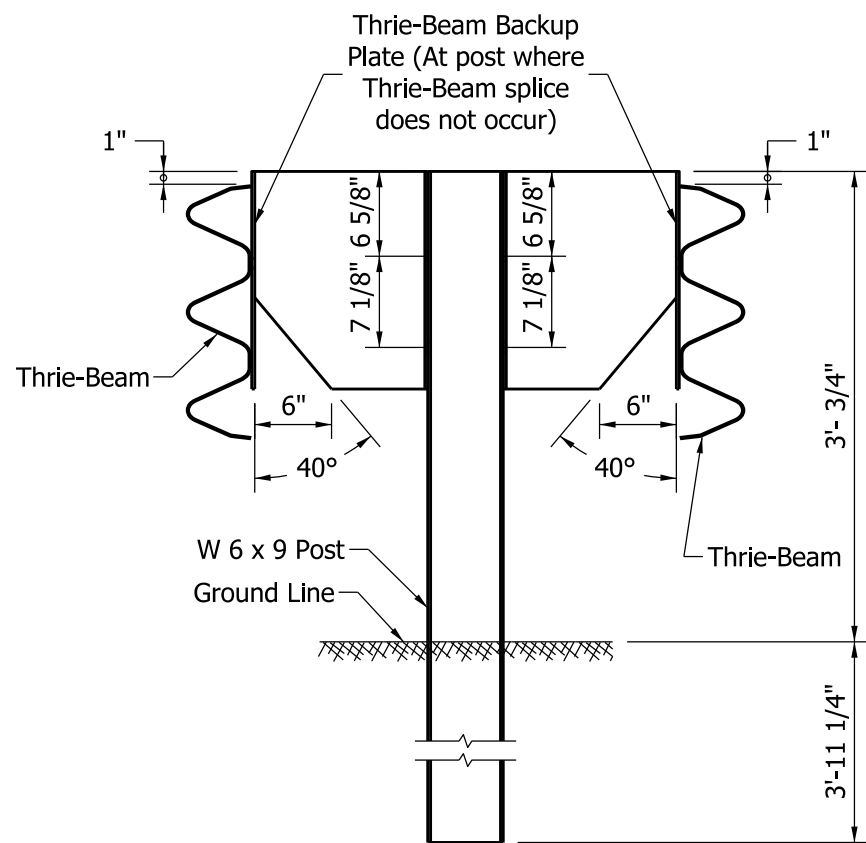


Cross section dimensions shall conform to those shown on Standard Drawing E 601-TBGC-01.

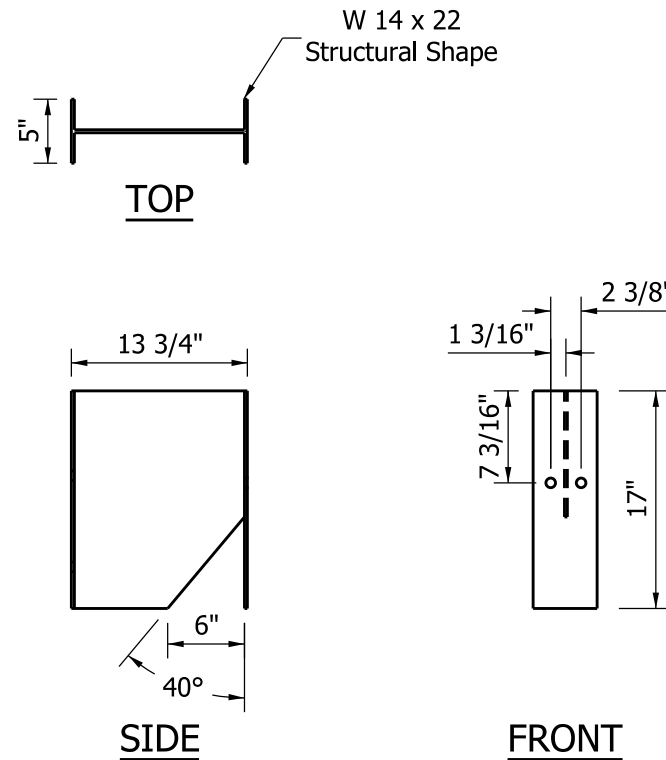
THRIE BEAM GUARDRAIL BACK-UP PLATE AT LOCATIONS WITHOUT SPLICE

NOTES:

1. See Standard Drawing E 601-TBGC-01 for Thrie Beam rail section details.
2. See Standard Drawings E 601-TTGB-03 and E 601-TTGB-04 for W 6 x 9 post hole pattern details.
3. Typical post spacing for Thrie Beam Guardrail and Double Faced Thrie Beam Guardrail is 6'-3".
4. Only the blockout material shown may be used.



DOUBLE FACED THRIE BEAM GUARDRAIL



THRIE BEAM GUARDRAIL BLOCKOUT (STEEL ONLY)

INDIANA DEPARTMENT OF TRANSPORTATION	
THRIE BEAM GUARDRAIL DETAILS	
SEPTEMBER 2011	
STANDARD DRAWING NO.	E 601-MTGR-01
	/s/ <i>Richard L. VanCleave</i> 09/01/11 DESIGN STANDARDS ENGINEER DATE
	/s/ <i>Mark A. Miller</i> 09/01/11 CHIEF HIGHWAY ENGINEER DATE
DESIGN STANDARDS ENGINEER	