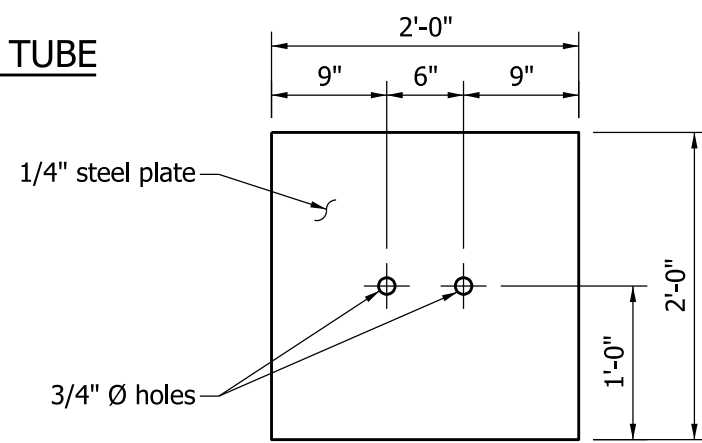


NOTE:

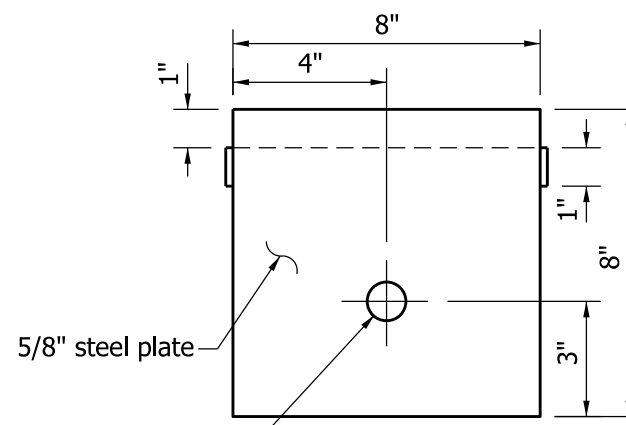
1. The TS 2 1/2" x 2 1/2" structural tube shall be welded only to post B.

FRONT VIEW SIDE VIEW

STEEL TUBE

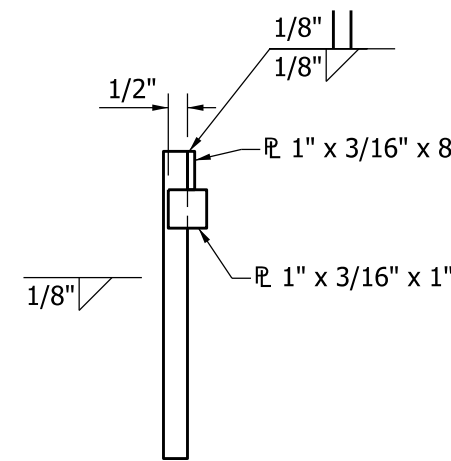


SOIL PLATE



FRONT VIEW

BEARING PLATE



SIDE VIEW

INDIANA DEPARTMENT OF TRANSPORTATION	
CURVED W-BEAM GUARDRAIL SYSTEM	
SEPTEMBER 2011	
STANDARD DRAWING NO.	E 601-CWGS-06
	/s/ <i>Richard L. VanCleave</i> 09/01/11
	DESIGN STANDARDS ENGINEER DATE
	/s/ <i>Mark A. Miller</i> 09/01/11
	CHIEF HIGHWAY ENGINEER DATE
DESIGN STANDARDS ENGINEER	