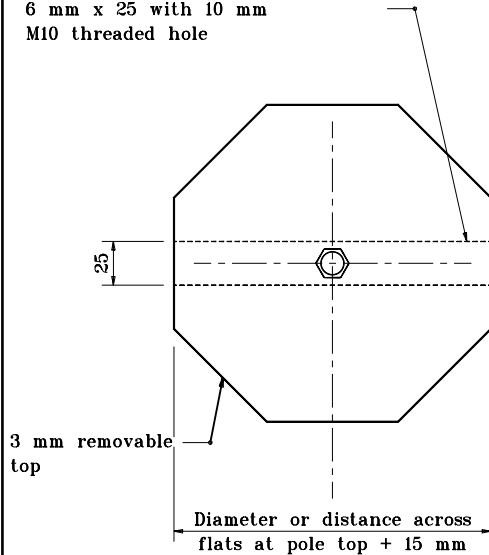
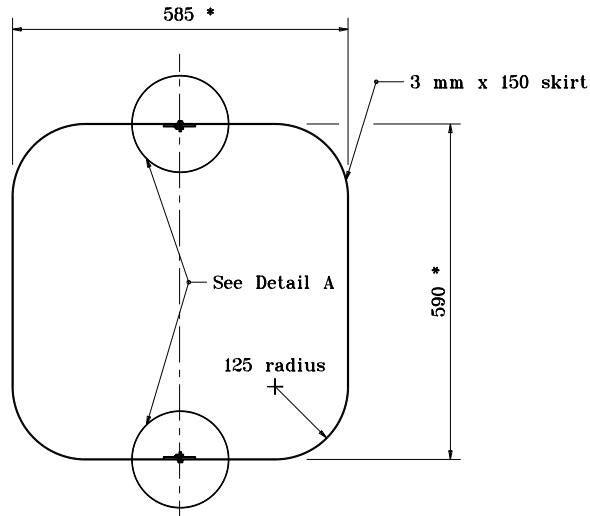


Bar to be welded to inside of pole
6 mm x 25 with 10 mm
M10 threaded hole

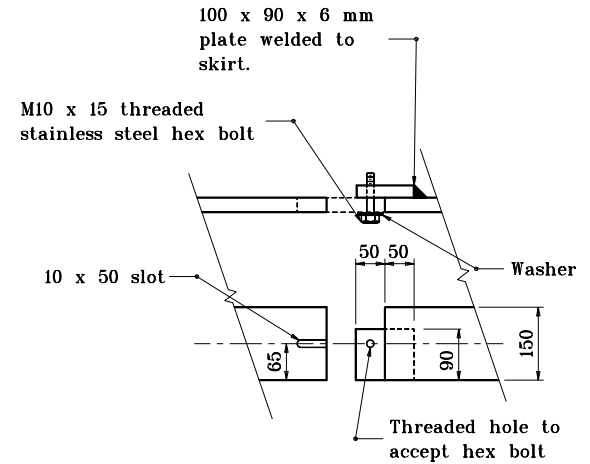
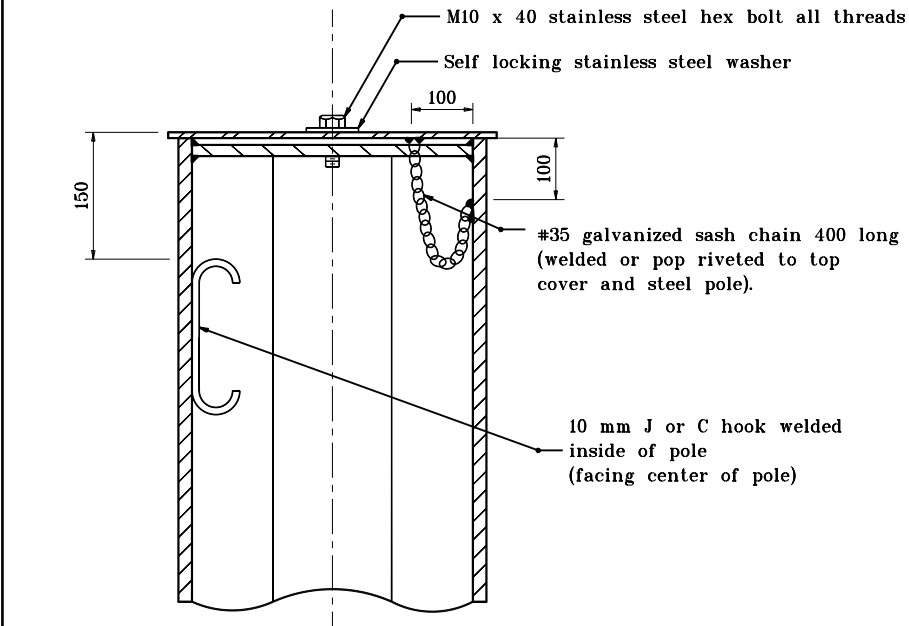


TOP COVER



METAL SKIRT (BASE PLATE)

* Inside dimension



DETAIL A

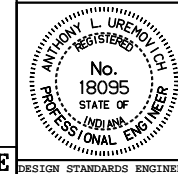
All dimensions are in mm unless otherwise specified.

INDIANA DEPARTMENT OF TRANSPORTATION

**TOP COVER AND METAL SKIRT
OF SIGNAL STEEL STRAIN POLE**

MARCH 1995

STANDARD DRAWING NO. **805-SGSP-02**



/s/ Anthony L. Uremovich 3-01-95
DESIGN STANDARDS ENGINEER DATE

/s/ Donald W. Lucas 3-01-95
CHIEF HIGHWAY ENGINEER DATE

Source Sheet: **NONE**