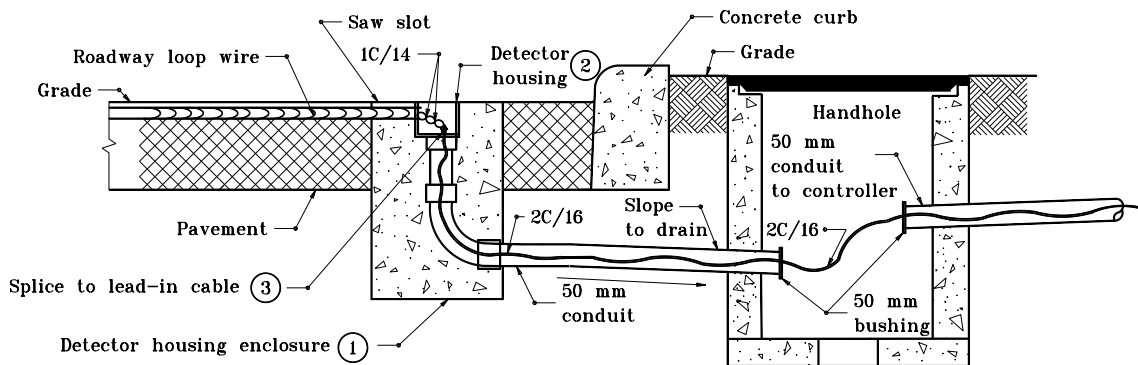
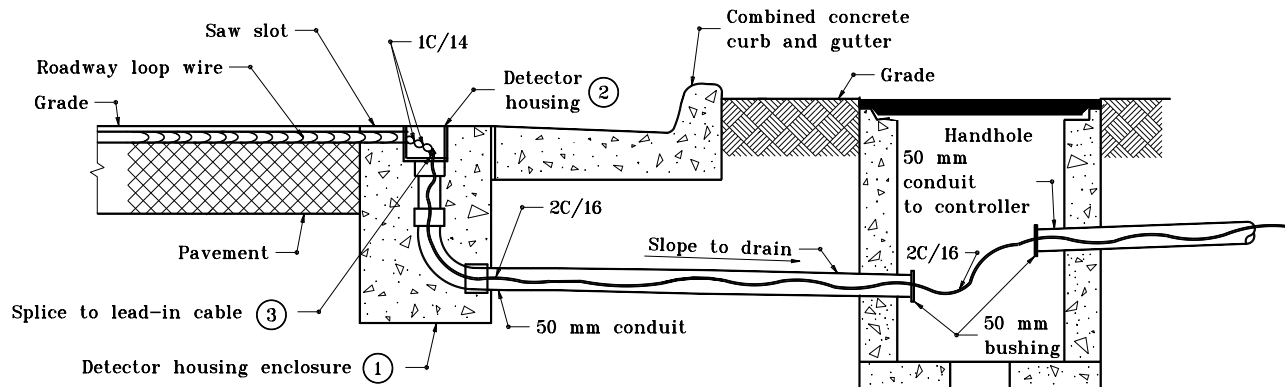


**CROSS SECTION FOR NON-CURBED SECTIONS**



**CROSS SECTION FOR CONCRETE CURB SECTIONS**



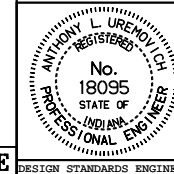
**CROSS SECTION FOR COMBINED CURB & GUTTER SECTIONS**

**GENERAL NOTES**

- ① For detail, see Standard Drawing No. 805-SGDH-01.
- ② For detail, see Standard Drawing No. 805-SGDH-02.
- ③ For detail, see Standard Drawing No. 805-SGLI-04.

All dimensions are in mm unless otherwise specified.

INDIANA DEPARTMENT OF TRANSPORTATION  
**TRAFFIC SIGNAL LOOP DETECTOR HOUSING INSTALLATION**  
 MARCH 1995  
 STANDARD DRAWING NO. **805-SGLI-03**



/s/ Anthony L. Uremovich 3-01-95  
 DESIGN STANDARDS ENGINEER DATE

/s/ Donald W. Lucas 3-01-95  
 CHIEF HIGHWAY ENGINEER DATE

Source Sheet: NONE