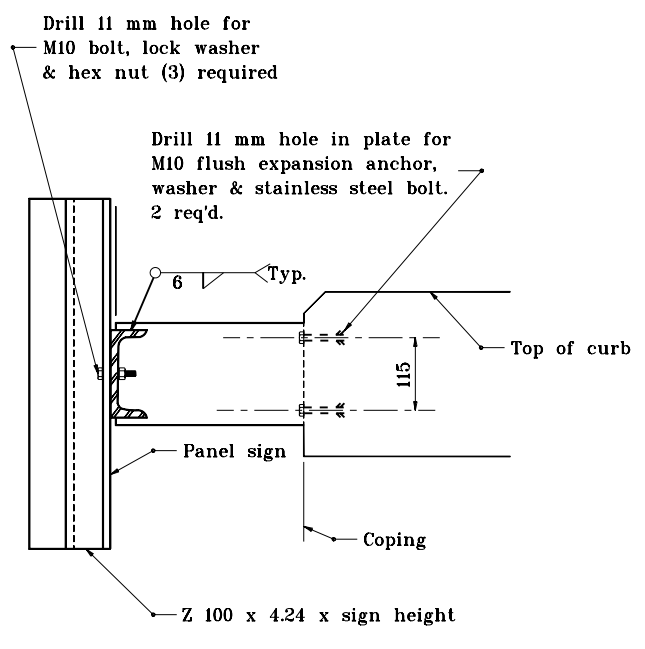


**PLAN (TYPE A)**

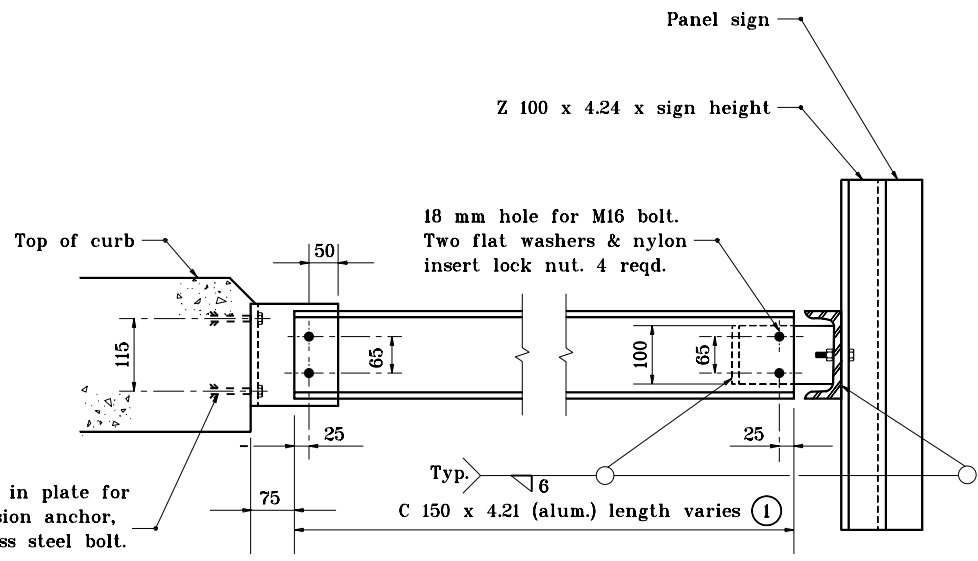
**10°, 20°, 30°, & 40° CONNECTIONS**



**SECTION B-B**

**GENERAL NOTES**

① See Standard Drawing 802-SNBB-05 for table.



**SECTION C-C**

Drill 11 mm hole in plate for M10 flush expansion anchor, washer & stainless steel bolt. 2 req'd.

C 150 x 4.21 (alum.) length varies ①

All dimensions are in mm unless otherwise specified.

INDIANA DEPARTMENT OF TRANSPORTATION	
<b>BRIDGE BRACKET ASSY. FOR CROSSROAD SIGNING</b>	
SEPTEMBER 2001	
STANDARD DRAWING NO. 802-SNBB-02	
	/s/ Anthony L. Uremovich 9-04-01 DESIGN STANDARDS ENGINEER DATE
	/s/ Firooz Zandi 9-04-01 CHIEF HIGHWAY ENGINEER DATE