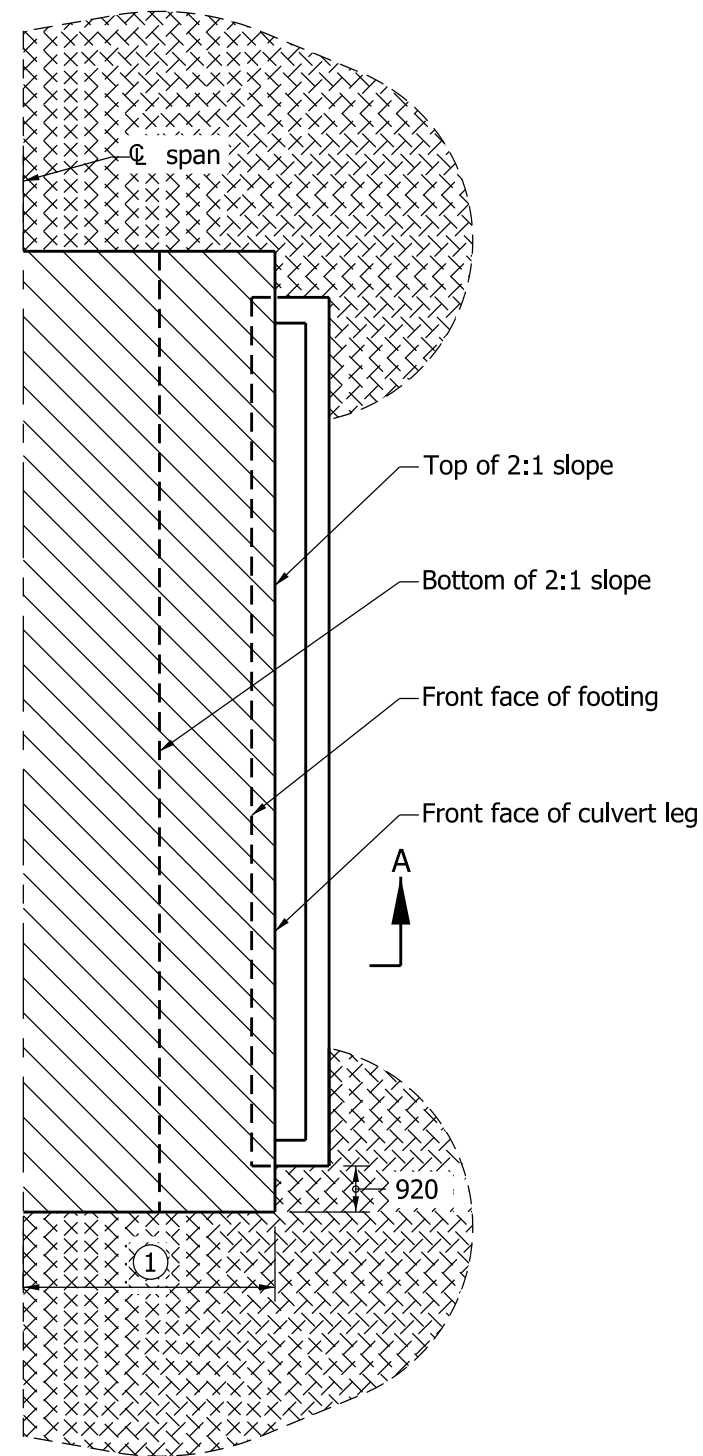


PLAN - WITH WINGWALLS



PLAN - PROJECTING

RIPRAP METHOD

**NOTES:**

- ① Half of span width.
2. See Standard Drawing 723-CCSP-02 for Section A-A.

**LEGEND:**

- Limits of scour protection within limits of structure.
- Limits of scour protection shown on plans outside limits of structure.

All Dimensions are in mm unless otherwise specified.

<b>INDIANA DEPARTMENT OF TRANSPORTATION</b>											
<b>THREE-SIDED CONCRETE CULVERT SCOUR PROTECTION 3.0 m ≤ SPAN WIDTH &lt; 6.0 m SEPTEMBER 2010</b>											
<b>STANDARD DRAWING NO. 723-CCSP-01</b>											
	<table style="width: 100%; border-collapse: collapse;"> <tr> <td style="width: 80%;"><i>/s/ Richard L. VanCleave</i></td> <td style="width: 20%; text-align: right;">09/01/10</td> </tr> <tr> <td>DESIGN STANDARDS ENGINEER</td> <td style="text-align: right;">DATE</td> </tr> <tr> <td colspan="2" style="border-top: 1px solid black;"> <table style="width: 100%; border-collapse: collapse;"> <tr> <td style="width: 80%;"><i>/s/ Mark A. Miller</i></td> <td style="width: 20%; text-align: right;">09/01/10</td> </tr> <tr> <td>CHIEF HIGHWAY ENGINEER</td> <td style="text-align: right;">DATE</td> </tr> </table> </td> </tr> </table>	<i>/s/ Richard L. VanCleave</i>	09/01/10	DESIGN STANDARDS ENGINEER	DATE	<table style="width: 100%; border-collapse: collapse;"> <tr> <td style="width: 80%;"><i>/s/ Mark A. Miller</i></td> <td style="width: 20%; text-align: right;">09/01/10</td> </tr> <tr> <td>CHIEF HIGHWAY ENGINEER</td> <td style="text-align: right;">DATE</td> </tr> </table>		<i>/s/ Mark A. Miller</i>	09/01/10	CHIEF HIGHWAY ENGINEER	DATE
<i>/s/ Richard L. VanCleave</i>	09/01/10										
DESIGN STANDARDS ENGINEER	DATE										
<table style="width: 100%; border-collapse: collapse;"> <tr> <td style="width: 80%;"><i>/s/ Mark A. Miller</i></td> <td style="width: 20%; text-align: right;">09/01/10</td> </tr> <tr> <td>CHIEF HIGHWAY ENGINEER</td> <td style="text-align: right;">DATE</td> </tr> </table>		<i>/s/ Mark A. Miller</i>	09/01/10	CHIEF HIGHWAY ENGINEER	DATE						
<i>/s/ Mark A. Miller</i>	09/01/10										
CHIEF HIGHWAY ENGINEER	DATE										
DESIGN STANDARDS ENGINEER											