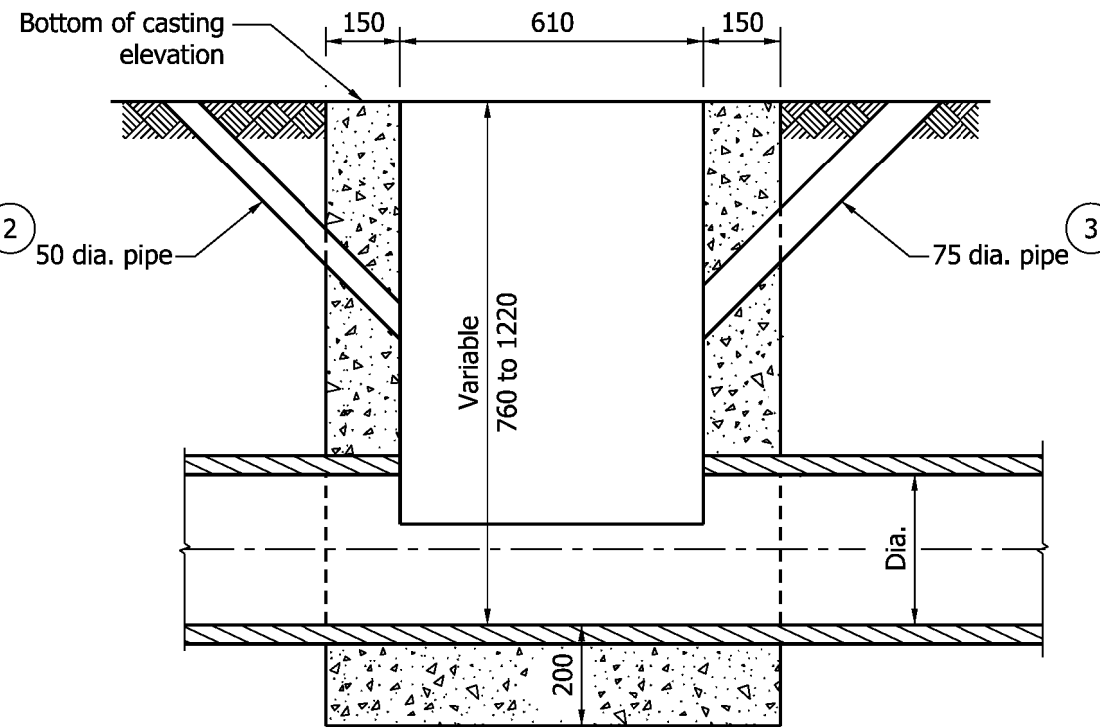


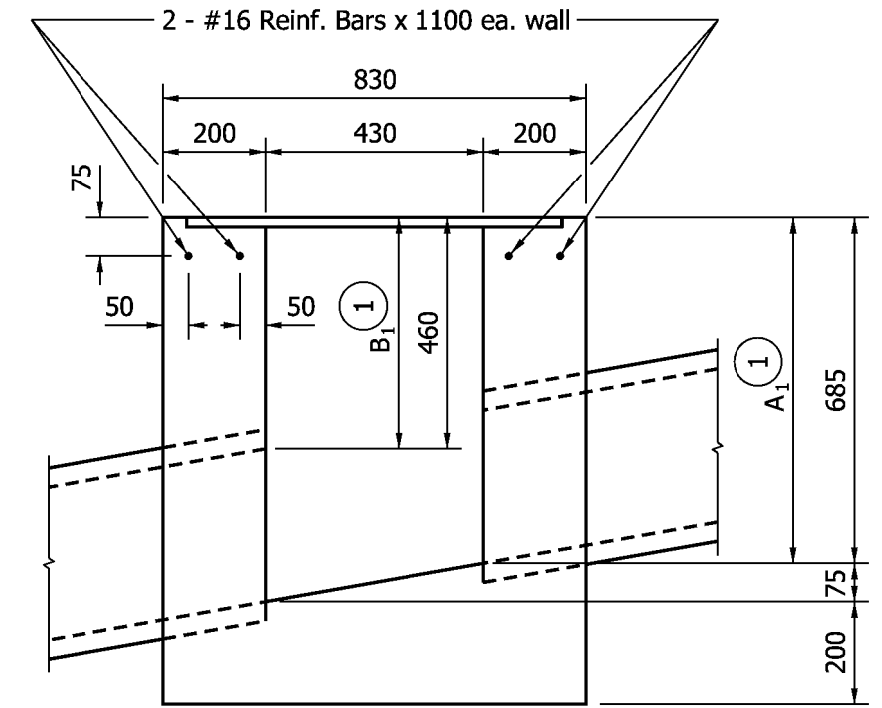
PLAN



INLET TYPE M (CONC)

SECTION

- GENERAL NOTES**
- ① If inlet pipe is required, A_1 and B_1 shall be increased or decreased 300 as directed.
 - ② 50 dia. drain from bottom of curb to inlet. Aggregate to be placed around inlet end of pipe.
 - ③ 75 min. dia. pipe to be kept open for drainage of subgrade or base until surface is placed.



SECTION B-B

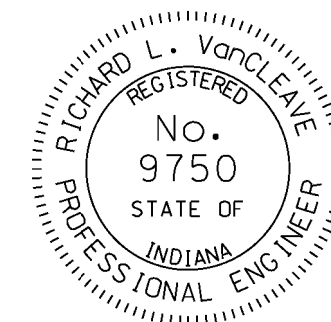
All Dimensions are in mm unless otherwise specified.

INDIANA DEPARTMENT OF TRANSPORTATION

INLET TYPE M & R

SEPTEMBER 2009

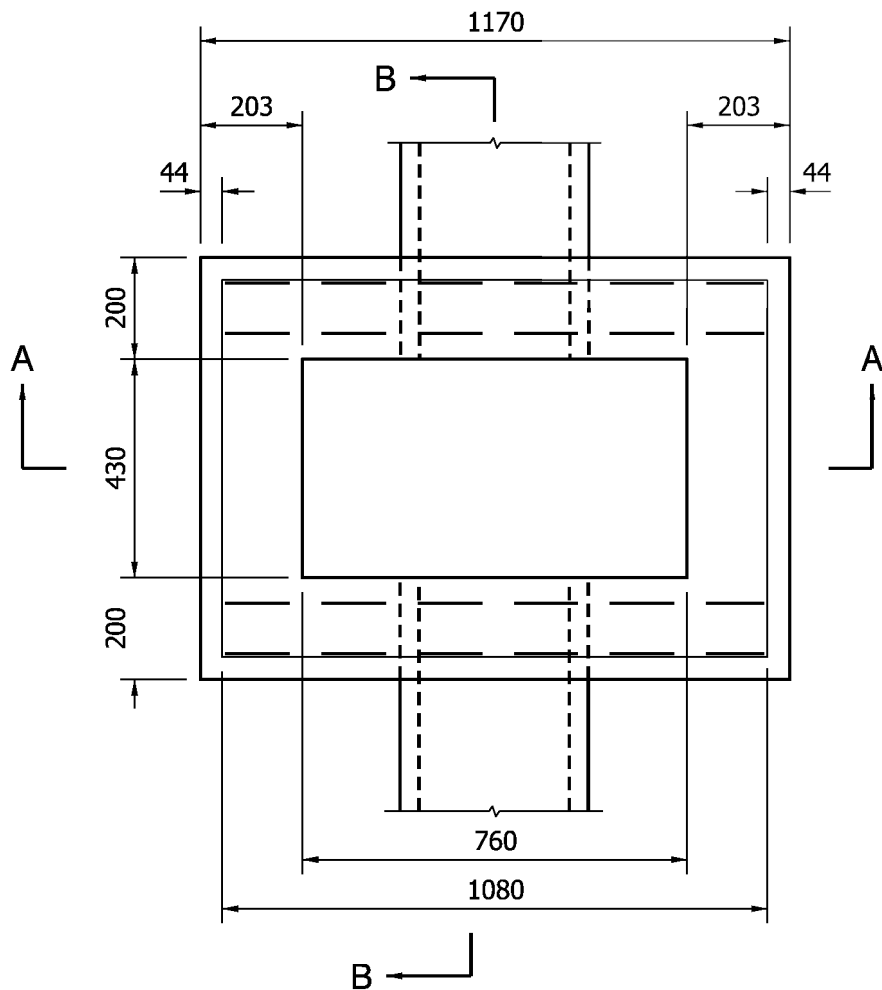
STANDARD DRAWING NO. 720 INST-07



DESIGN STANDARDS ENGINEER

/s/ Richard L. VanCleave 09/01/09
DESIGN STANDARDS ENGINEER DATE

/s/ Mark A. Miller 09/01/09
CHIEF HIGHWAY ENGINEER DATE



SECTION A-A
INLET TYPE R (Conc.)

