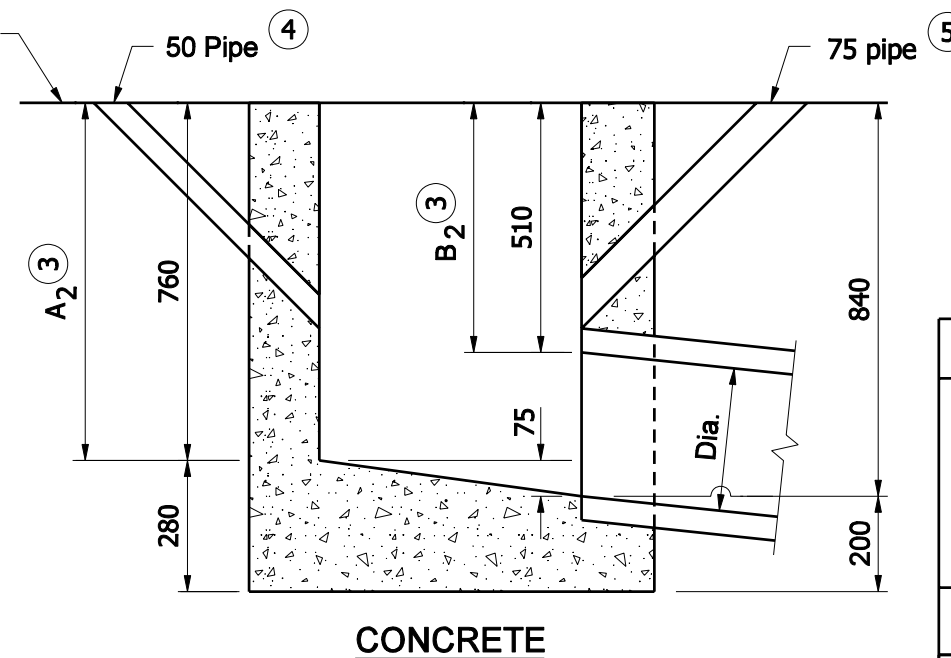
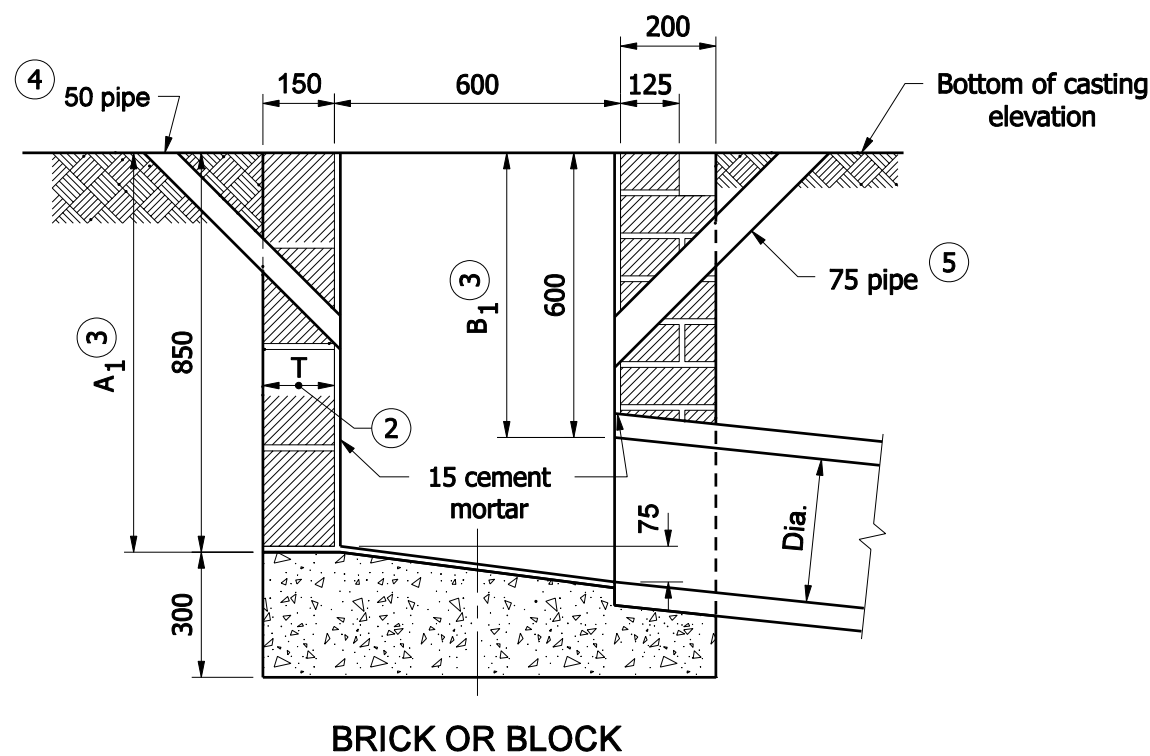
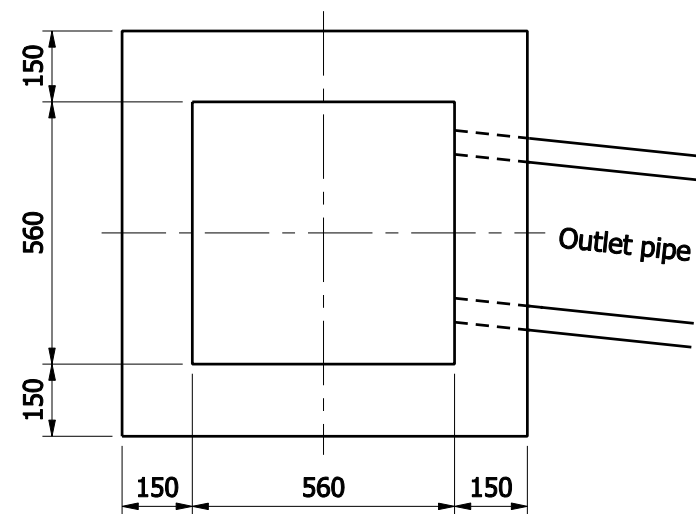
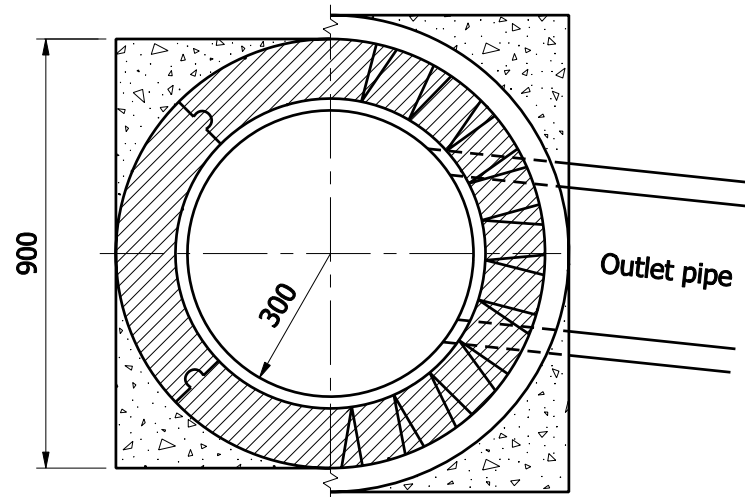


**GENERAL NOTES**

1. Brick, block, or concrete may be used.
2. T = 200 for brick structure  
T = 150 for segmental block structure
- 3 In special cases or where inlet pipe is required, A<sub>1</sub>, B<sub>1</sub>, A<sub>2</sub>, and B<sub>2</sub> shall be increased or decreased 300, as directed.
- 4 50 dia. pipe drain from bottom of curb to inlet. Aggregate to be placed around inlet end of pipe.
- 5 75 dia. pipe to be kept open for drainage of subgrade or base until surface is placed.



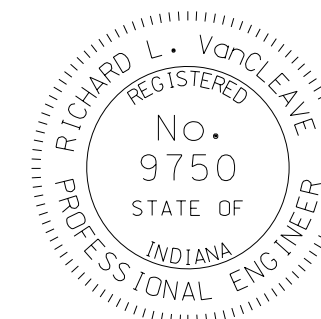
All Dimensions are in mm unless otherwise specified.

**INDIANA DEPARTMENT OF TRANSPORTATION**

**INLET TYPE A**

**SEPTEMBER 2008**

**STANDARD DRAWING NO. 720-INST-01**



DESIGN STANDARDS ENGINEER

*/s/ Richard L. VanCleave* 09/02/08  
DESIGN STANDARDS ENGINEER DATE

*/s/ Mark A. Miller* 09/02/08  
CHIEF HIGHWAY ENGINEER DATE