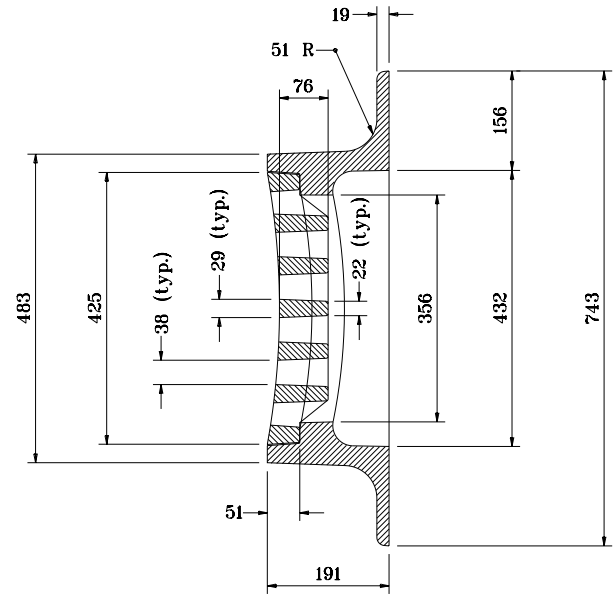
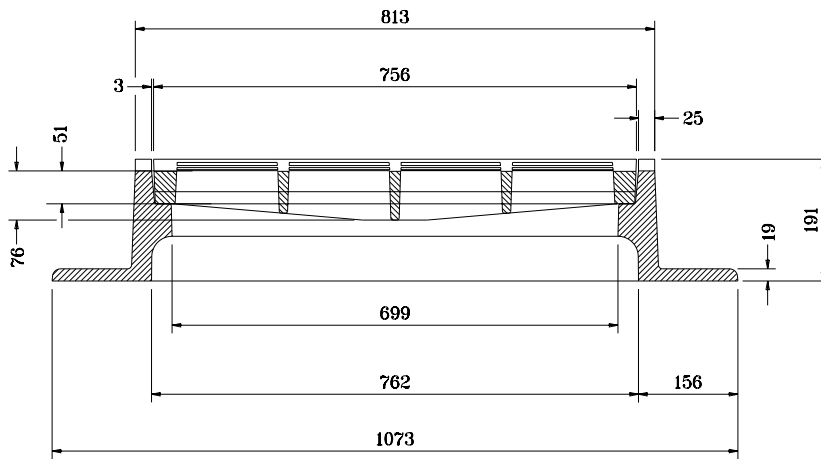


**PLAN**



**SECTION A-A**



**SECTION B-B**

All dimensions are in mm unless otherwise specified.

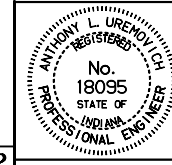
INDIANA DEPARTMENT OF TRANSPORTATION

**CASTING TYPE 13**

**FRAME & GRATE**

SEPTEMBER 1998

STANDARD DRAWING NO. **720-ICCA-13**



*/s/ Anthony L. Uremovich* 9-01-98  
DESIGN STANDARDS ENGINEER DATE

*/s/ Donald W. Lucas* 9-01-98  
CHIEF HIGHWAY ENGINEER DATE

Source Sheet: **MC2**