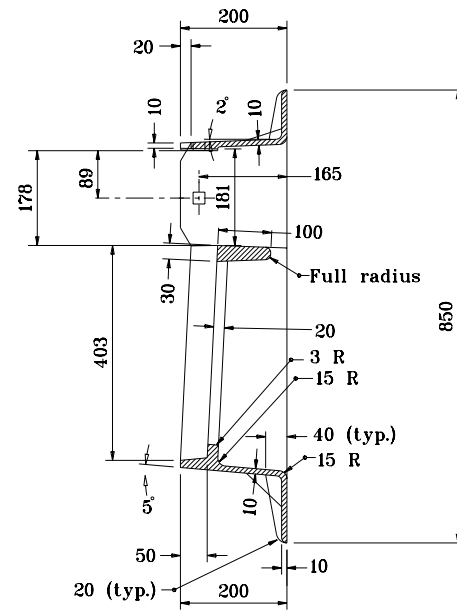
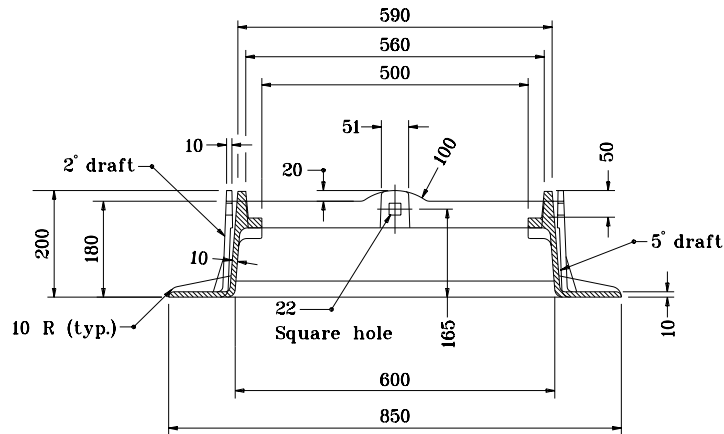


PLAN



SECTION B-B



SECTION A-A

All dimensions are in mm unless otherwise specified.

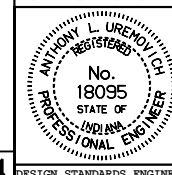
INDIANA DEPARTMENT OF TRANSPORTATION

CASTING TYPE 8

FRAME

SEPTEMBER 1998

STANDARD DRAWING NO. 720-ICCA-04



/s/ Anthony L. Uremovich 9-01-98  
DESIGN STANDARDS ENGINEER DATE

/s/ Donald W. Lucas 9-01-98  
CHIEF HIGHWAY ENGINEER DATE

Source Sheet: MCI